

ENGLISH	3
SVENSKA	12
DEUTSCH	22
FRANÇAIS	32

OPERATING INSTRUCTIONS	Translation of original manual
BRUKSANVISNING	Original bruksanvisning
BETRIEBSANLEITUNG	Übersetzung der Originalbetriebsanleitung
MODE D'EMPLOI	Traduction du mode d'emploi original

JK20A680L

From serie no 141334
 Från serienummer 141334
 Ab Serie-Nr. 141334
 A partir du no de série 141334

Pneumatic stapler
 Pneumatiskt klammerverktyg
 Pneumatisches Klammergerät
 Agrafeuse pneumatique



Before using the tool, read the operating instructions carefully.

Läs igenom bruksanvisningen noga innan du använder klammerverktyget.

Vor dem Gebrauch des Gerätes die Betriebsanleitung aufmerksam lesen.

Avant l'utilisation de l'appareil, consultez soigneusement le mode d'emploi.



TABLE OF CONTENTS

	Page
1 Technical data	2
2 General information	3
2.1 Information on environmental protection	3
3 Safety instructions	4
4 Description	5
4.1 Design	5
4.2 Function	5
5 Initial operation	6
5.1 Installation	6
5.2 Compressed-air connection / Lubrication	6
6 Operating instructions	7
6.1 Loading the stapler	7
6.2 Operating the stapler	7
7 Preventive and corrective maintenance	8
7.1 Cleaning the stapler	8
7.2 Removing jammed staples	8
7.3 Replace feed spring or pusher	9
7.4 Replace driver blade	9
8 Trouble shooting	10
9 Spare parts kit	41
10 Exploded drawing	42
Parts list with recommended wear parts	44

1

TECHNICAL DATA

Weight	1.2 kg (2.6 lbs)
Dimensions	Length 365 mm (14,4") Width 43 mm (1,7") Height 150 mm (5,9")
Magazine capacity	286 staples
Staple leg length	6–14 mm (1/4"–9/16")
Nose length	14 mm (0.5 in.)
Recommended working air pressure	5–6 bar (72–87 psi)
Max. air pressure	7 bar (100 psi)
Air consumption per driving operation at 6 bar operating pressure	0.2 litres
Noise characteristic levels according to:	EN 12549
A-weighted single-event emission sound pressure level at work station	85 dB
A-weighted sound energy level	91 dB
Vibration level:	Vibration below the limit of declaration according to EN 792-13 measured according to ISO 8662-11.

SE JOSEF KIHLBERG AB

Industrigatan 37B

SE- 544 50 Hjo

Telephone: +46 503 328 00
 Fax: +46 503 328 01
 E-mail: reception@kihlberg.se
 Internet: www.kihlberg.com

FASTENERS

Staple JK680-06 (1/4")	Art.No 400283
Staple JK680-08 (1/16")	Art.No 400285
Staple JK680-10 (3/8")	Art.No 400288
Staple JK680-12 (1/2")	Art.No 400292
Staple JK680-14 (9/16")	Art.No 400294

DECLARATION OF CONFORMITY



We take sole responsibility for declaring that the stapler JK20A680L, to which this declaration refers, is in full compliance with the current requirements of the guidelines laid down by the council on 17th May 2006 (2006/42/EC) "Machine Guidelines".

According to norm:
 ISO 12100:2010; EN 792-13+A1:2008

SE-544 50 HJO, 05.06.2014

Production Manager:

Anders Pettersson

Anders Pettersson

Agent for the publication of technical documentation:
 Josef Kihlberg AB, Industrigatan 37B, SE-544 50 HJO

2

GENERAL INFORMATION



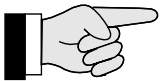
CAUTION!

Used where there is danger to life and health.



WARNING!

Used for danger which can cause material damage.



NOTE!

Used for general information and information which if not followed can cause faults in the operating sequence.

These operating instructions are intended to simplify familiarisation with the stapler and the possibilities of application for the intended purpose. The operating instructions contain important information concerning the safe, proper and efficient use of the stapler. Observation of the information will help to avoid danger, reduce repairs and stoppages and increase the reliability and service life of the stapler.

The operating instructions must always be available at the place of operation of the stapler. They must be read and observed by all persons concerned with work on the stapler. This work specifically includes operation, refilling of operating material, fault elimination and maintenance.

In addition to the operating instructions and the regulations for accident prevention effective in the country of use and place of application, the recognised technical regulations for safety and proper working must also be observed.

2.1 INFORMATION ON ENVIRONMENTAL PROTECTION

This stapler is manufactured without any physical or chemical substances which could be dangerous to health. For disposal of all the parts, the governmental instructions must be observed.

3

SAFETY INSTRUCTIONS



Inform yourself!
Read the operating instructions carefully.



Original JOSEF KIHHLBERG staples must be used exclusively!



Protect yourself!
When operating the stapler, wear eye, ear protection.



Original JOSEF KIHHLBERG spare parts must be used exclusively!
Not using original spare parts will dissolve the warranty and the liability.



Warning: Danger of crushing!
Do not put your fingers underneath the nozzle.

Use for the intended purpose

The stapler is intended for stapling fabric to wood, board or cardboard to wood.



Warning: Hazard!
Lay the compressed air hose so that there is no risk of tripping over it.

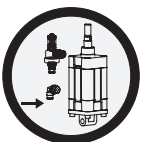
This stapler was designed and manufactured for safe handling during the stapling operation.



Do not exceed the air pressure!
Do not exceed the recommended air pressure.

Possible misuse

Do not fire any staples into the air or use the stapler with any other materials than mentioned above.



Use safety coupling!
For connecting the air hose to the stapler, use only a safety coupling.

Servicing

The following maintenance work must be carried out at regular intervals, varying with working conditions and workload:

- daily check of compressed air pressure (5–6 bar).
- clean the stapler regularly.
- check the condition of the stapler at regular intervals for defects or worn parts. Never use a stapler that has defective or worn parts (for servicing tasks refer also to chapter 7.1 until 7.4).



Do not use a bottled air or gas source!
Do not operate this stapler by using a bottled air or gas source.



Never leave a loaded tool unattended!
Always disconnect the tool from air supply when not in use.

4

DESCRIPTION

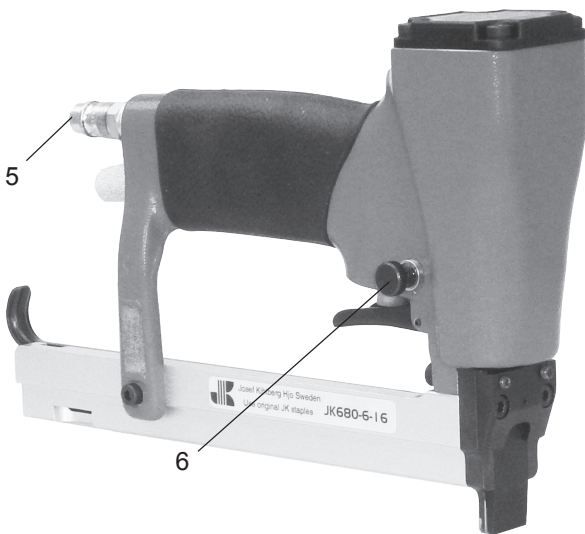
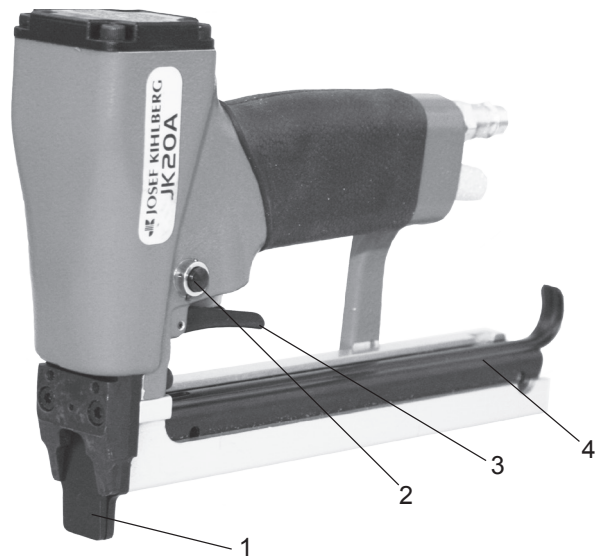


Fig. 1

4.1 DESIGN

- 1 Door
- 2 Single fire button
- 3 Trigger
- 4 Magazine lid
- 5 Compressed air connection
- 6 Speed adjustment

4.2 FUNCTION

Stapler JK20A680L has both single shot and continuous firing without safety yoke.



Never fire staples into the air!

1. **Single shot firing:**
Press the single fire button (Fig. 1/2) on the left side above the trigger and a single shot will be fired when the trigger is activated.
2. **Continuous firing:**
Release the single fire button (1/2) on the left hand side and continuous firing will occur for as long as the trigger (1/3) is activated.
3. **Speed of continuous firing:**
The firing speed is regulated by the speed adjustment knob (1/6) on the right side. Turning counter clockwise will increase the speed (max. 28 shots/sec) 7 bars; turning clockwise reduces the speed.



Warning: before stapling ensure that your hand or any other part of your body is not underneath the nozzle.

5

INITIAL OPERATION

5.1 INSTALLATION

The stapler is delivered without the compressed air connection nipple assembled. Assemble the nipple as following:

1. Take the stapler out of the box. Check that the nipple is the correct brand and fits your air system. Put sealing compound on the thread. (Fig. 2/1).
2. Assemble the nipple. Tightening torque 7.5 Nm.



Lay the compressed air hose so that there is no risk of tripping over it.

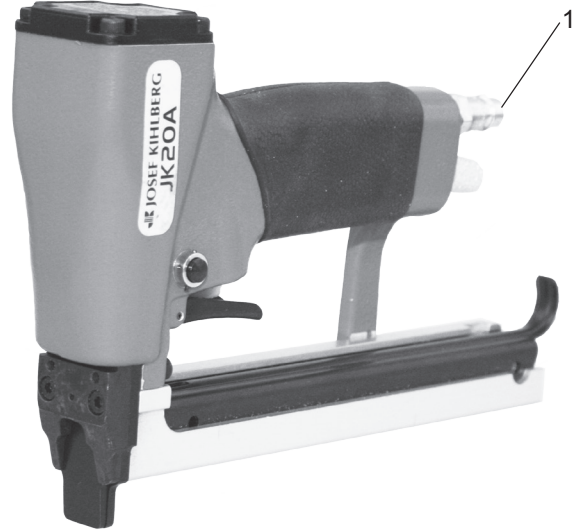


Fig. 2

5.2 AIR CONNECTION / LUBRICATION



Properly prepared compressed air is essential for trouble free operation of the stapler. This can only be ensured by a reliably functioning maintenance unit, consisting of water separator, pressure reducing valve with pressure gauge. The internal diameter of the pipe should be at least 10 mm ($\frac{3}{8}$ ”).



Never exceed the maximum permitted air pressure of 7 bar (100 psi). The maximum supply pressure is 7 bar (100 psi).

A low air pressure will give low maintenance costs!

The stapler and the hose must have a coupling which automatically bleeds all air pressure from the stapler when it is disconnected.

The stapler needs a small amount of lubricating oil in the nipple each day or approx. 10 drops once a week to ensure safe functioning and endurance. For high frequency stapling we recommend oil mist lubricator. Please contact our agent for advice.

733007 Lubrication oil 0.2 dl. (Fig.3/1)

Sliding parts are greased, with Dow Corning grease MS 4 Silicon Compound, at the factory. We recommend use of this grease on moving parts if they have been cleaned or replaced.

184943 Tube of MS 4. (Fig. 3/2)



733007



184943

Fig. 3

6

OPERATING INSTUCTIONS

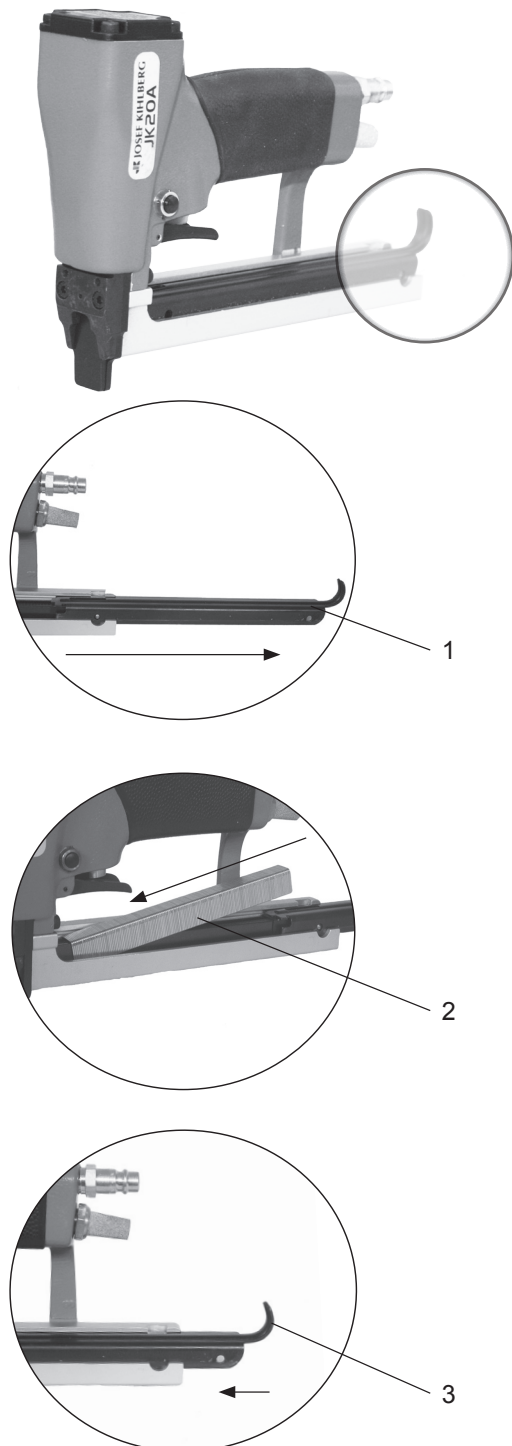


Fig. 4

6.1 LOADING THE MAGAZINE



Be sure that the tool is not pointing at yourself or anyone else when connecting it to the compressed air line.

- Connect the tool to the compressed air line before loading staples. The max. allowed air pressure is 7 bar.
- **Always use Josef Kihlberg original staples JK680 with leg length 06 (1/4") to 14 mm (9/16").** The correct type of staple is marked on the right side of the magazine. Ensure you use the right length of staples for your application.

1. Pull the magazine lid all the way out (Fig. 4/1)
2. Place the staple strip (4/2) into the staple rail from the left hand side.
3. Place the staple strip into the magazine and push the lid (4/3) forward again until it clicks in.

6.2 OPERATING THE STAPLER

Adjust the air pressure to the lowest one that will drive the staples to the desired depth. Start at approx. 5.0 bar (72 psi) and raise this by 0.5 bar (7 psi) increase until the correct operating pressure for the job in hand is found. Never exceed 7 bar (100 psi).

A low air pressure will give low maintenance costs!



Always place yourself in a firmly balanced position when using or handling the tool. Do not drive staples at too steep an angle or too close to the edge of the work: the fastener might fly free and hurt someone.

- Place the tool firmly on the work surface. Never drive staples in extremely hard or brittle material.



Warning: before stapling, ensure that your hand or any other part of your body is not underneath the nozzle.

- Push the trigger as described in chapter 4.2
- Move the toll sideways until you have finished the stapling and then release the trigger.

7

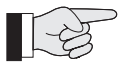
PREVENTIVE AND CORRECTIVE MAINTENANCE



Before all maintenance tasks on the stapler always first disconnect it from the air supply.

7.1 CLEANING THE STAPLER

This stapler does not require special servicing. It only needs regular cleaning with a non-aggressive (non-corrosive) cleaner agent. Do not remove any parts for cleaning purposes!



Check the proper functioning of all safety devices daily. Make especially sure that:

- the trigger works smoothly, the door stays in place and the magazine lid does not open itself.
- all screws and nuts are securely tightened.
- the stapler is regularly lubricated (refer to chapter 5.2).

7.2 REMOVING JAMMED STAPLES

To remove a jammed staple.

- Pry the door open with a screw driver (fig.5/1). It is three notches in the door to simplified the disassemble.
- Remove the door..
- Clean the canal for defective staples.
- Insert the door into the rear nozzle plate and push until it clicks shut.

Note! The three notches at the door must be assembled to the front.

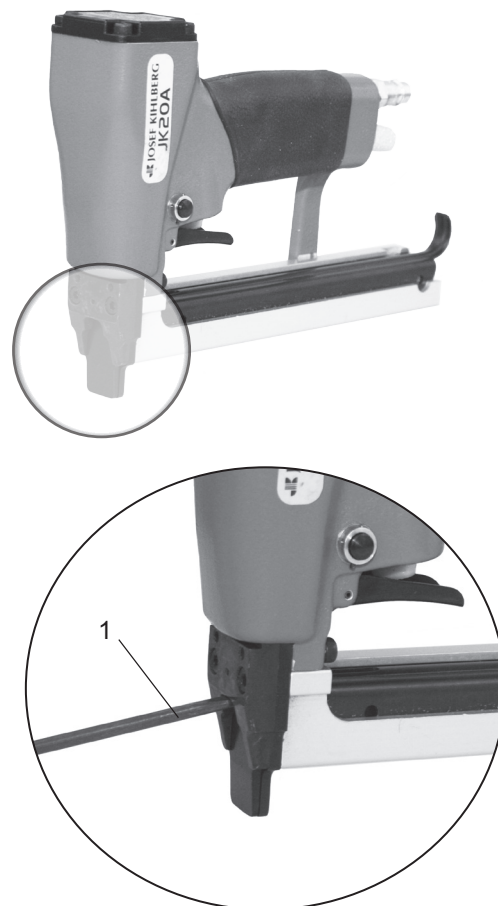


Fig. 5

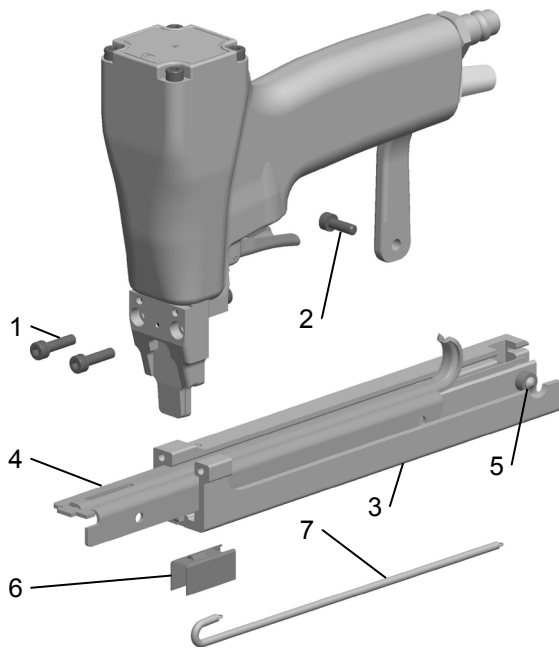


Fig. 6

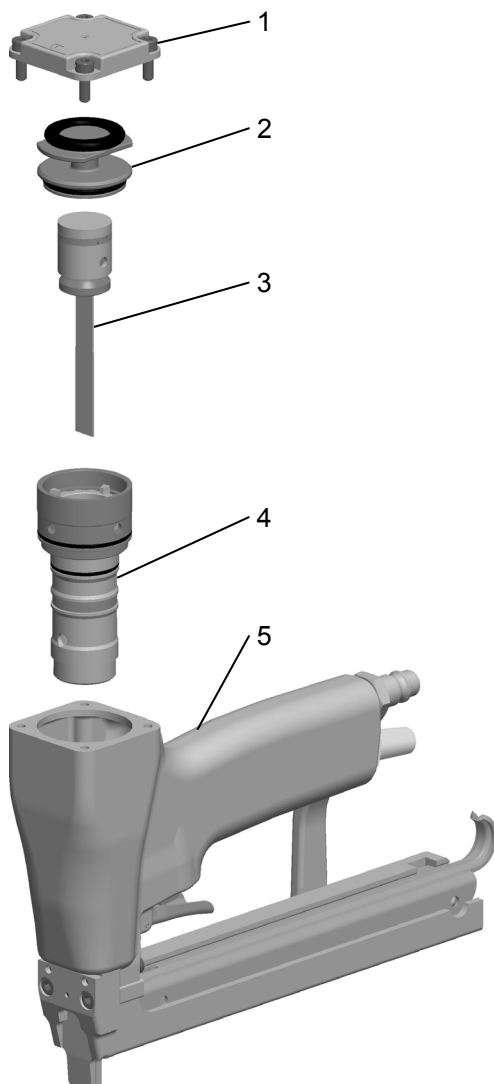


Fig. 7

06.14

7.3 REPLACE FEED SPRING

- Remove the rear screw (Fig. 6/2).
- Remove the two front screws (6/1) and remove the magazine (6/3).
- Remove the magazine lid (6/4) towards the front.
- Remove the pusher (6/6) and its spring (6/7).
- Mount the pusher spring under the front roller.
- First mount the pusher; tension the pusher spring a little, carefully release the pusher and then attach the spring to the rear hook.
- Mount the lid (6/4) from the front; push the lock plunger (6/5) in as indicated to allow the lid to pass.
- Put the three magazine screws in place and push the magazine down. Tighten the two front screws first.

7.4 CHANGE THE DRIVER BLADE

- Remove the four screws (Fig. 7/1) holding the top cap.
- Remove the cylinder cap (7/2).
- Turn the tool (7/5) upside down and knock it carefully against a piece of wood to loosen the driving parts.
- Remove the driving parts (7/4).
- Disassemble the piston cap (7/3).
- Hold the piston and turn the driver blade a 1/4 turn. Remove the pin and replace the driver blade.
- Assemble in opposite way. Do not forget to turn the driver blade a 1/4 turn.
- Grease (Part No 184943) at all o-rings and sliding surfaces. Assemble the driving parts as indicated in the picture (7/4) and enter the piston cap (7/3) into the driving parts and push it to its lower position.
- Insert the driver into the nozzle and push it down. Check that the piston and the driver move freely in the cylinder and in the nozzle.
- Mount the cylinder liner cover.
- Mount the top cap and tighten the four screws (7/1).

8

TROUBLE SHOOTING



Before all trouble shooting tasks on the stapler it must first be disconnected from the air supply.

FAULT	ELIMINATION
<p>No staples when firing the tool.</p>	<ul style="list-style-type: none"> - Check that the right type of staples is being used and moves easily inside the rail. - Always use Josef Kihlberg original staples. - Check for jammed staples. - Check the feeder spring for defects. If necessary replace. - Check if the staple pusher is not defective. If necessary replace. - Clean the staple track. - Air pressure too low. Secure that working pressure is as recommend, see chapter 6.2
<p>Inadequate power. The staples do not penetrate the material sufficiently.</p>	<ul style="list-style-type: none"> - Adjust the air pressure as chapter 6.2 - Has the tool been used without oil? Provide lubrication, see chapter 5.2. - Fit a longer driver blade.
<p>Noise level is too high</p>	<ul style="list-style-type: none"> - Check if the air pressure is correct. Adjust as per chapter 6.2. - Ensure that the work piece is firmly held in place. Vibration causes high sound levels.
<p>Jammed staple in the nozzle</p>	<ul style="list-style-type: none"> - Open the door and remove the defective staple, see chapter 7.2.

SVENSKA

INNEHÅLL

	Page
1 Tekniska data	12
2 Allmänt	13
2.1 Miljöinformation	13
3 Säkerhetsföreskrifter	14
4 Beskrivning	15
4.1 Sammansättning	15
4.2 Funktion	15
5 Idrifttagande	16
5.1 Installation	16
5.2 Anslut tryckluft / smörjning	16
6 Användning	17
6.1 Ladda klammermagasin	17
6.2 Använda klammerverktyget	17
7 Förebyggande och avhjälpande underhåll	18
7.1 Rengöring av klammerverktyget	18
7.2 Avlägsna kilad klammer	18
7.3 Byta frammatarfjäder eller frammatare	19
7.4 Utbyte av drivare	19
8 Felsökning	20
9 Reservdelar som delar	41
10 Sprängskiss	42
Reservdelslista	44

1

TEKNISKA DATA

Vikt	1,2 kg (2,6 lbs)
Dimension	Längd 365 mm (14,4") Bredd 43 mm (1,7") Höjd 150 mm (5,9")
Magasinskapacitet	286 klammer
Klammerlängd	6–14 mm (1/4"–9/16")
Noslängd	14 mm (0,5 in.)
Max. tryck	7 bar (100 psi)
Rekommenderat arbetstryck	5–6 bar (72–87 psi)
Luftförbrukning per slag vid 6 bar (80 psi) arbetstryck.	0,2 liter
Karakteristisk bullernivå enligt: EN 12549	
Deklarerad A-vägd ljudtrycksnivå vid operatörsplatsen för enstaka förlopp	85 dB
Deklarerad A-vägd ljudenerginivå	91 dB
Vibrationsnivå:	Vibrationsnivån är under dekla- rationsgräns enligt EN 292-2 uppmätt enl. ISO 8662-11.
Klammer	
Klammer JK680-06 (1/4")	Art. nr 400283
Klammer JK680-08 (1/16")	Art. nr 400285
Klammer JK680-10 (3/8")	Art. nr 400288
Klammer JK680-12 (1/2")	Art. nr 400292
Klammer JK680-14 (9/16")	Art. nr 400294

SE JOSEF KIHMBERG AB

Industrigatan 37B

SE-544 50 Hjo

Telefon: +46 503 328 00

Fax: +46 503 328 01

E-mail: reception@kihlberg.se

Internet: www.kihlberg.com

DEKLARATION OM ÖVERENSSTÄMMELSE



Försäkras härmed att klammerverktyg JK20A680L, är tillverkad enligt följande harmoniserande standarder:

SS-EN ISO 12100:2010 och SS-EN 792-13 + A1:2008 samt följer bestämmelserna enligt rådets direktiv: 2006/42/EG

SE-544 50 HJO, 05.06.2014

Produktionsansvarig:

Anders Pettersson
Anders Pettersson

Behörig att ställa samman den tekniska dokumentationen:
Josef Kihlberg AB, Industrigatan 37B, SE-544 50 HJO

2

ALLMÄNT



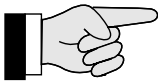
FÖRBUD!

Symbolen används vid fara för liv och lem.



VARNING!

Symbolen används vid risk för materiella skador.



OBSERVERA!

Symbolen används för allmänna instruktioner samt för instruktioner som måste följas för att undvika störningar.

Denna manual är framtagen för att förenkla kännedom om klammerverktyget och dess handhavande och applikationer. Manualen innehåller viktig information angående säkerhet, korrekt och effektiv användning. Genom att iakttaga denna information hjälper det till att förhindra olyckor och reducera reparationer och driftstörningar och förlänga livslängden på klammerverktyget.

Manualen skall alltid hållas tillgänglig i arbetsområdet för verktyget. Den skall läsas och förstås av all personal som använder verktyget.

Som tillägg till manualen skall bestämmelse för förebyggande olycksfallsrisker följas för det land där produkten används. Det skall också iakttas tekniska förordningar angående säker och riktig användning.

2.1 MILJÖINFORMATION

Detta klammerverktyg är tillverkat utan några fysiska eller kemiska substanser vilka kan vara farliga för hälsan. För avfallshantering av samtliga delar skall regeringens lagar och förordningar följas.

3

SAFETY INSTRUCTIONS



Informera dig!
Läs igenom bruks-
anvisningen noga.



Använd alltid Josef Kihlberg original klammer.



Skyddsutrustning!
Bär skyddsutrustning för ögon och öron när du använder klammerverktyget.



Endast original-reservdelar från JOSEF KIHHLBERG får användas!
I annat fall upphävs garanti och övrigt ansvar från tillverkaren!



Varning: Akta fingrarna!
Stoppa inte fingrar eller andra kroppsdelar under nosen.

Användningsområde

Klammerverktyget är avsett för att häfta tyg eller board till trä.



Varning: Snubbelrisk!
Lägg tryckluftsslangen så att det inte finns någon risk för att snubbla över den.

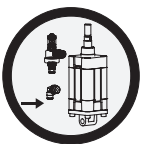
Verktyget är konstruerat för säker hantering under klamringen.



Överskrid inte lufttrycket!
Överskrid inte rekommenderat lufttryck.

Möjlig felanvändning

Avfyr inte verktyget i luften och använd endast i de material som rekommenderas för verktyget.



Använd säkerhetskoppling!
Anslut luftslangen till häftaren endast med säkerhetskoppling.

Underhåll

Följande underhåll måste genomföras regelbundet beroende på arbetsmiljö och volym:
– daglig kontroll av arbetstryck 5–6 bar (72-87 psi).
– regelbunden rengöring av klammerverktyget.
– kontrollera regelbundet konditionen på häftaren och se till att inga defekta eller utslitna delar förekommer. (för mer information angående service se 7.1 and 7.2).



Använd aldrig gas från högtryckstuber!
Använd aldrig gas från högtryckstuber.



Lämna aldrig ett laddat verktyg obevakat. Koppla alltid bort luftslangen när det inte används.

4

BESKRIVNING

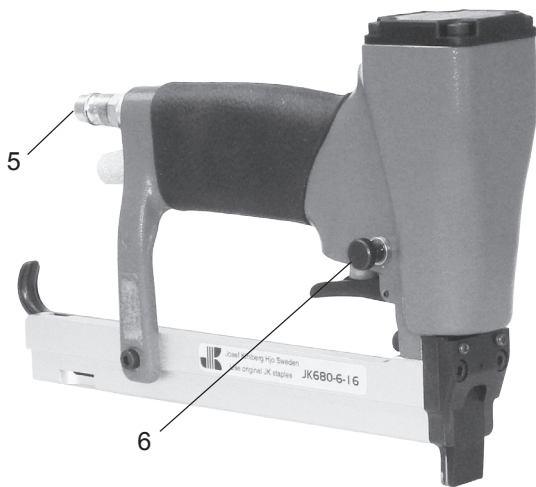
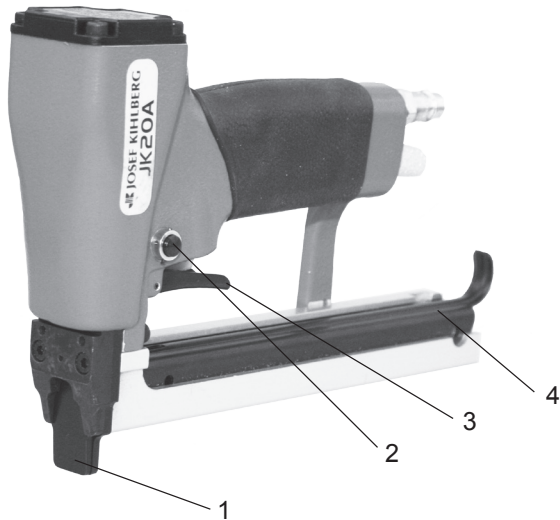


Fig. 1

4.1 SAMMANSÄTTNING

- 1 Dörr
- 2 Enkelskottsknapp
- 3 Avtryckare
- 4 Magasinslock
- 5 Nippel
- 6 Hastighetsjustering

4.2 FUNKTION

Verktøget JK20A680L har såväl enkelskott som multiskott-avfyrning, utan säkerhetsbygel.



Avfyr aldrig i luften!

1. **Enkelskotts-avfyrning:**
Tryck på enkelskottsknappen (Fig. 1/2) på vänster sida ovanför avtryckaren och en klamma kommer att skjutas ut när avtryckaren aktiveras.
2. **Multiskotts-avfyrning:**
Släpp knappen (1/2) på vänster sida och kontinuerlig avfyrning sker så länge som avtryckaren (1/3) hålls intryckt.
3. **Hastighetsjustering vid automatspikning:**
Hastigheten justeras med justerskruven (2/6) på verktygets högra sida. Vid justering moturs ökas hastigheten (max. 28 skott/sek) 7 bar; vridning medurs minskar hastigheten.



Varning! innan du häftar, säkerställ att ingen del av din kropp är under nosen.

5

IDRIFTTAGANDE

5.1 INSTALLATION

Klammerverktyget levereras med nippeln omonterad. Monteras enligt följande:

1. Tag ur verktyget ur kartongen och kontrollera att nippeln är av samma typ som används i luftinstallationen. Applicera gängtejp eller gängtätningvätska på nippeln. (Fig. 2/1).
2. Montera nippeln och använd ett åtdragningmoment av 7,5 Nm.



Placera tryckluftsslangen så att den ej utgör något hinder.



Fig. 2

5.2 ANSLUT TRYCKLUFT / SMÖRJNING



Häftaren behöver ren och torr tryckluft med tillsats av en liten mängd dimsmörjolja för en långsiktig problemfri drift. Detta kan enklast uppnås med en luftberedare som inkluderar vattenavskiljare och luftregulator med manometer och dimsmörjarenhet. Som alternativ till detta kan dimsmörjolja tillföras i nippeln, några droppar dagligen eller ca 10 droppar / vecka.

Överskrid aldrig maximalt lufttryck
Högsta tillåtna tryck är 7 bar (100 psi), och maximalt matartryck är 7 bar (100 psi)

Justera arbetstrycket till 5.0 - 6 bar (72-87 psi)



Lågt arbetstryck innebär låga underhållskostnader.

Häftaren och slangen måste förses med en koppling med automatisk avluftning som gör häftaren trycklöst vid frånkoppling.

733007 Dimsmörjolja 0,2 dl. (Fig. 3/1)

Verktygets glidytor har vid tillverkningen belagts med fett Dow Corning MS4 silicon Compound. Vi rekommenderar den för rörliga delar vid rengöring eller utbyte.

184943 Tub av fett MS 4. (Fig. 3/2)



733007



184943

Fig. 3

6

ANVÄNDNING

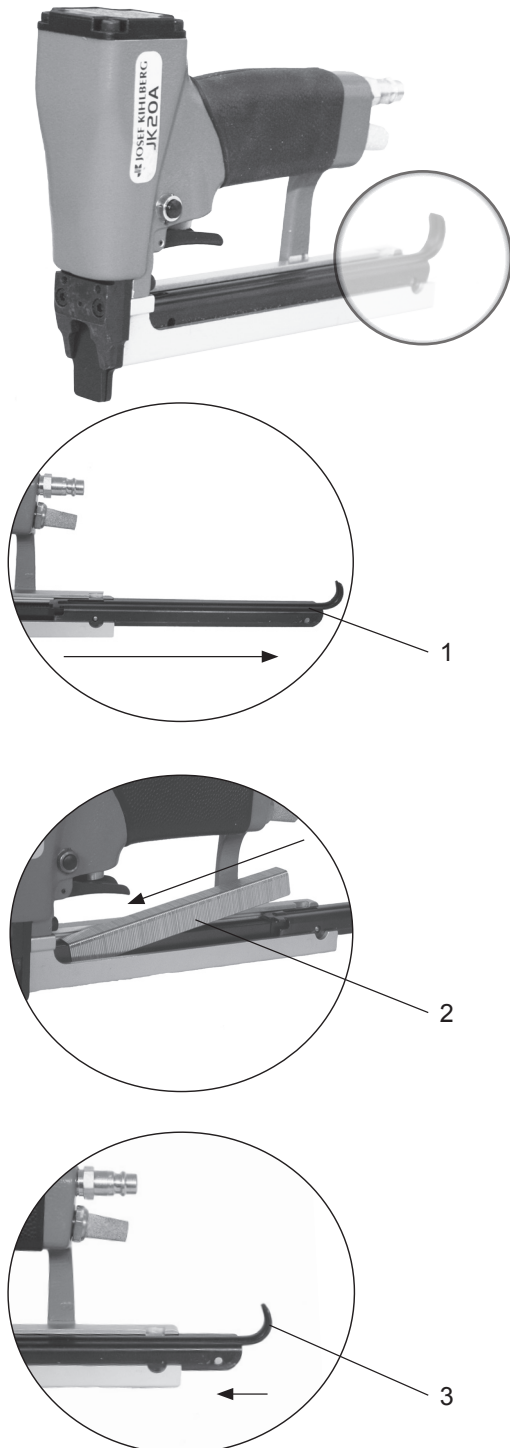


Fig. 4

6.1 LADDA VERKTYGET



Säkerställ att verktyget inte pekar mot dig själv eller någon annan när inkoppling sker till tryckluftssystemet.

- Koppla in verktyget till tryckluftssystemet före du laddar magasinet med klammer. Högsta tillåtna tryck är 7 bar (100 psi).
 - **Använd alltid Josef Kihlberg originalklammer för en säker funktion. JK680 med klammerlängd 06 (1/4“) till 14 mm (9/16“).**
 - Den korrekta typ av klammer är märkt på magasinets vänstra sida. Kontrollera att rätt längd på klammern används före du börjar klamma.
1. Drag ut magasinetslocket till sitt bakre läge (Fig. 4/1).
 2. Lägg en klammerstav från vänster sida i klammerbanan (4/2).
 3. Ladda magasinet med klammer och för locket till sitt främre läge (4/3).

6.2 ANVÄNDNING

- Ställ in lägsta möjliga lufttryck som fortfarande driver klammern till önskat djup. Börja med ungefär 5.0 bar (72 psi) och höj sedan trycket i steg om 0,5 bar (7 psi) tills det rätta arbetstrycket etablerats. Överstig dock aldrig 7 bar (100 psi).
- Ett lågt lufttryck bidrar till att hålla underhållskostnaderna nere!



Vid användning av verktyget bör man stå välbalanserat och stadigt. Om klammern drivs in för nära kanten eller i brant vinkel finns risk för att klammer slungas ut i lokalen.

- Placera verktyget mot arbetsstycket. Försök aldrig att driva in klammer i mycket hårda eller spröda material.



Varning! innan du häftar, säkerställ att ingen del av din kropp är under nosen.

- Tryck in avtryckaren som beskrivs i kapitel 4.2.
- För verktyget i sidled tills du skall avsluta häftningen. Släpp avtryckaren.

7

FÖREBYGGANDE OCH AVHJÄLPANDE UNDERHÅLL



Säkerställ att verktyget ej är inkopplat till tryckluftssystemet och att det är trycklöst vid underhållsarbete.

7.1 RENGÖRING AV KLAMMERVERKTYGET

Denna häftare behöver inget speciellt underhåll. Den behöver regelbunden rengöring med ett neutralt rengöringsmedel (ej frätande). Demontera inte några delar vid rengöring.



Kontrollera dagligen verktygets funktion och säkerhetsutrustningar. Speciellt att:

- Avtryckaren inte kärvar, dörren självöppnar sig eller att magasinlocket kärvar.

Kontrollera samtidigt att alla skruvar och muttrar är åtdragna.

7.2 AVLÄGSNA KLAMMER SOM FASTNAT

För att ta bort en kilad och defekt klammer gör följande:

- Bänd upp dörren med en skruvmejsel (Fig.5/1). Det finns tre urtag i dörren för att förenkla demonteringen. Ta bort dörren.
- Rensa nosen från defekta klammer.
- För in dörren i bakre drivarstyrning och tryck den uppåt tills den nått sitt övre läge.
- O.B.S De tre urtagen för demontering skall monteras framåt.

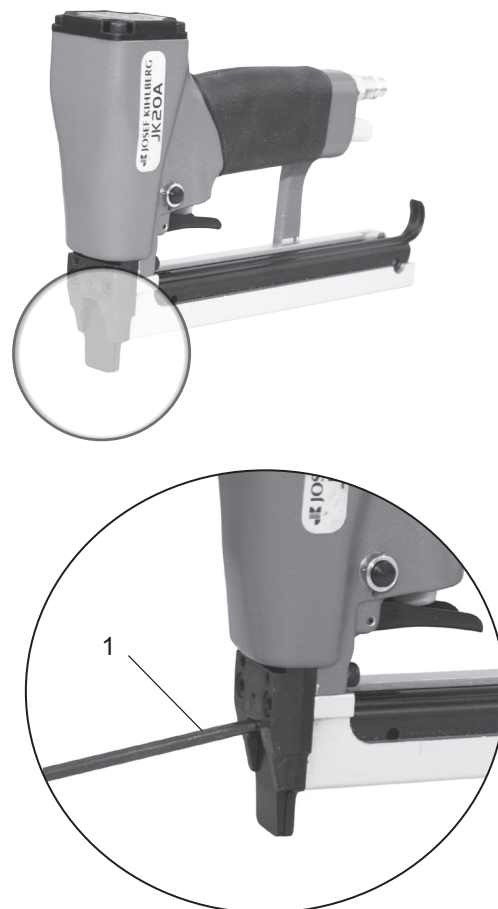


Fig. 5

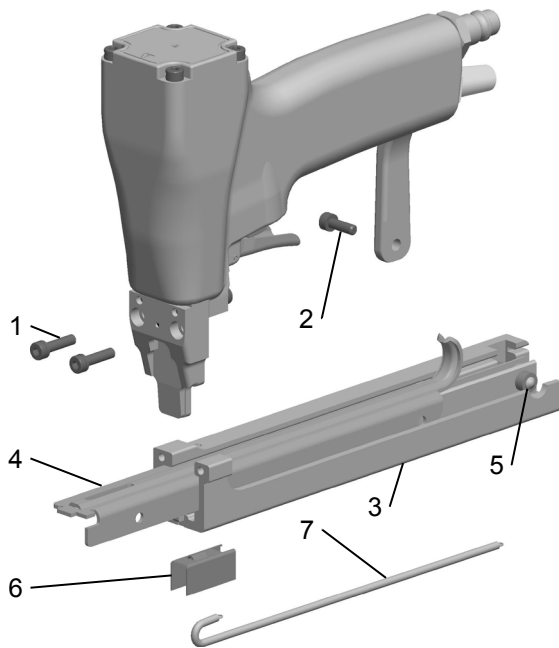


Fig. 6

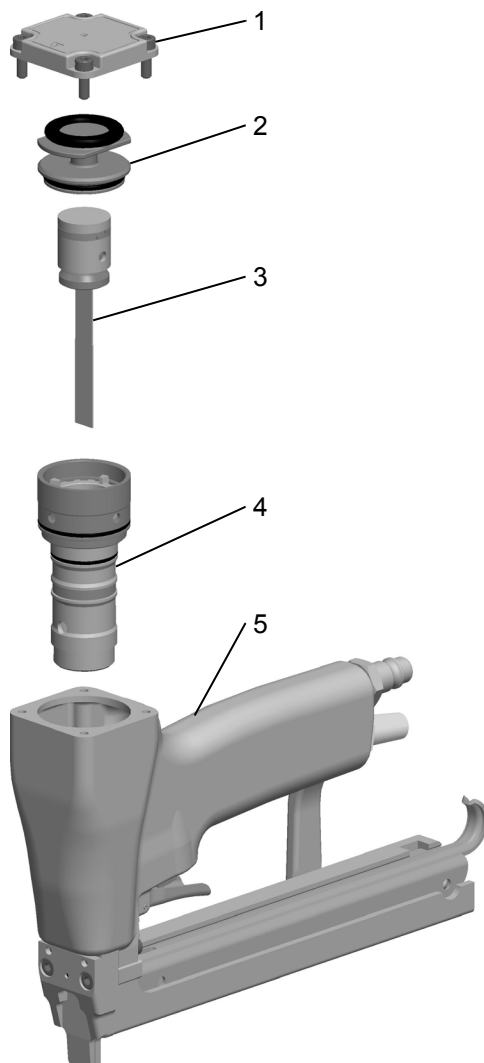


Fig. 7

06.14

7.3 BYTE FRAMMATARFJÄDER

- Demontera skruv (Fig. 6/2) vid bakre infästning till magasin.
- Demontera de två skruvarna (6/1) och ta bort magasinet (6/3) från verktygskroppen.
- Ta bort magasinslocket (6/4) framåt.
- Demontera frammataren (6/6) och dess fjäder (6/7).
- Montera frammatarfjäders under den främre rullen.
- Montera först på frammataren; spänn frammatarfjäders något, släpp frammataren försiktigt och där efter haka fast fjäders på den bakre fästkroken.
- Montera locket (6/4) framifrån; tryck in spärren (6/5) enligt bilden när locket skall passera den.
- Äntra magasinets tre skruvar och tryck magasinet nedåt. Drag sedan de främre skruvarna först.
- Drag sedan fast den bakre skruven.

7.4 BYTE AV DRIVARE

- Demontera de fyra skruvarna (Fig. 7/1) och ta av locket.
- Lyft ur locket för cylinderfodret (7/2).
- Vänd verktyget och knacka det försiktigt mot en träbit för att lossa kolv komplett (7/5) och cylinderfoder med hylsa (7/4).
- Demontera drivaren (7/3) från kolven genom att håll fast kolven försiktigt och vrid drivare ett 1/4 varv. Knacka ut drivarpinnen med ett dorn. Byt drivare och montera i omvänd ordning. Glöm inte att vrida drivaren 1/4 varv i förhållande till kolven.
- Smörj in alla rörliga delar med fett MS4 (Best. nr 184943).
- Montera kolv kpl. (7/3) tillsammans med cylinderfoder med hylsa. För in kolv kpl. i cylinderfoder med hylsa (7/4) och för in kolven kpl. och tryck ned den till dess lägsta position.
- Äntra drivaren i drivarstyrningen och tryck ned drivarpaketet. Kontrollera att kolven och drivaren löper lätt i cylindern och styrningen.
- Montera locket för cylinderfodret (7/2).
- Montera locket och dra åt de fyra skruvarna.

8

FELSÖKNING



Säkerställ att verktyget ej är inkopplat till tryckluftssystemet och att det är trycklöst vid underhållsarbete.

FEL

MÖJLIG ORSAK / LÖSNING

Ingen klammer när du häftar

- Kontrollera så att rätt sorts klammer används och att klammerstaven glider lätt på klammerbanan.
- **Andvänd endast Josef Kihlberg original klammer.**
- Kontrollera frammatarfjädern och frammataren så att den inte är defekt. Byt om den är skadad.
- Rengör klammerbanan från föroreningar.
- För lågt lufttryck. Säkerställ att rätt arbetstryck används. Se kapitel 6.2

Dålig slagkraft. Klammern slås ej in tillräckligt.

- Justera arbetstrycket enligt kapitel 6.2
- Har verktyget använts utan tryckluftsolja? Säkerställ tillsatssmörjning enligt kapitel 5.2
- Montera längre drivarblad.

För hög ljudnivå

- Kontrollera att arbetstrycket är rätt. Justera enligt kapitel 6.2
- Säkerställ att arbetsstycket är fastsatt. Vibrationer orsakar hög ljudnivå.

Klammern kilar fast i drivarstyrningen.

- Öppna dörren och ta bort den defekta klammern. Se kapitel 7.2.

DEUTSCH

INHALTSVERZEICHNIS

	Seite
1 Technische Daten	22
2 Allgemeines	23
2.1 Hinweis zum Umweltschutz	23
3 Sicherheitsvorschriften	24
4 Beschreibung	25
4.1 Aufbau	25
4.2 Funktionsprinzip	25
5 Inbetriebnahme	26
5.1 Inbetriebnahme	26
5.2 Druckluftaufbereitung	26
6 Bedienung	27
6.1 Magazin mit Klammern laden	27
6.2 Bedienung des Klammergerätes	27
7 Wartung und Instandsetzung	28
7.1 Reinigung	28
7.2 Steckengebliebene Klammern entfernen	28
7.3 Magazinfeder ersetzen	29
7.4 Antriebsschiene ersetzen	29
8 Störungsbehebung	30
9 Ersatzteil-Set	41
10 Explosionszeichnung	42
Teileliste mit empfohlenen Ersatzteilen	44

SE JOSEF KIHLBERG AB

Industrigatan 37B

SE- 544 50 Hjo

Telephone: +46 503 328 00
 Fax: +46 503 328 01
 E-mail: reception@kihlberg.se
 Internet: www.kihlberg.com

1

TECHNISCHE DATEN

Gewicht	1,2 kg
Abmessungen	Länge 365 mm Breite 43 mm Höhe 150 mm
Magazinkapazität	286 Klammern
Klammern-Schenkellänge	6–14 mm
Vorderplattenüberstand	14 mm
Empfohlener Arbeits-Luftdruck	5–6 bar
Max. Luftdruck	7 bar
Druckluftverbrauch bei 6 bar Arbeitsdruck	0,2 Liter
Werte gemäss:	EN 12549
A-bewerteter Emissions-Schalldruckpegel am Arbeitsplatz	85 dB
A-bewerteter Schalldruckpegel Energieniveau	91 dB
Vibrationsstärke:	Der Vibrationswert liegt unter der in der Konformitätserklärung EN 792-13 angegebenen Grenze, gemessen nach ISO 8662-11

KLAMMERN

Klammer JK680-06 (1/4")	Artikel-Nr. 400283
Klammer JK680-08 (1/16")	Artikel-Nr. 400285
Klammer JK680-10 (3/8")	Artikel-Nr. 400288
Klammer JK680-12 (1/2")	Artikel-Nr. 400292
Klammer JK680-14 (9/16")	Artikel-Nr. 400294

KONFORMITÄTSERKLÄRUNG



Wir erklären in alleiniger Verantwortung, dass das Gerät JK20A680L, auf welches sich diese Erklärung bezieht, mit den geltenden Bestimmungen der Richtlinie des Rates vom 17. Mai 2006 (2006/42/EG) „Maschinen-Richtlinie“ übereinstimmt.

Berücksichtigte Normen:
 ISO 12100:2010; EN 792-13+A1:2008

SE-544 50 HJO, 05.06.2014

Production Manager:

Anders Pettersson

Anders Pettersson

Bevollmächtigte zur Herausgabe von technischen Unterlagen:
 Josef Kihlberg AB, Industrigatan 37B, SE-544 50 HJO

2

ALLGEMEINES



VORSICHT!

Wird verwendet bei Gefahren für Leben und Gesundheit.

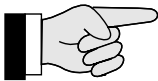
Diese Betriebsanleitung soll das Kennenlernen des Gerätes und den bestimmungsgemässen Einsatz erleichtern. Die Betriebsanleitung enthält wichtige Hinweise, wie das Gerät sicher, sachgerecht und wirtschaftlich einzusetzen ist. Das Einhalten der Hinweise hilft Gefahren vermeiden, Reparaturen und Ausfallzeiten vermindern sowie die Zuverlässigkeit und Lebensdauer des Gerätes zu erhöhen.



ACHTUNG!

Wird verwendet bei Gefahren, die Sachschäden verursachen können.

Die Betriebsanleitung muss am Einsatzort des Gerätes verfügbar sein. Sie ist von allen Personen zu lesen und anzuwenden, die mit dem Gerät arbeiten. Zu diesen Arbeiten zählen insbesondere die Bedienung, die Störungsbehebung und die Wartung.



HINWEIS!

Wird verwendet für allgemeine Hinweise und für Hinweise, bei deren Nichtbeachtung Störungen im Betriebsablauf entstehen können.

Neben der Betriebsanleitung und den im Verwenderland und an der Einsatzstelle geltenden Regelungen zur Unfallverhütung sind auch die anerkannten fachtechnischen Regeln für sicherheits- und fachgerechtes Arbeiten zu beachten.

2.1 HINWEIS ZUM UMWELTSCHUTZ

Für die Herstellung dieses Gerätes werden keine gesundheitsschädigenden physikalischen oder chemischen Stoffe verwendet. Für die Entsorgung sind die gültigen gesetzlichen Vorschriften zu berücksichtigen.

3

SICHERHEITSVORSCHRIFTEN



Informieren Sie sich!
Vor dem Gebrauch des Gerätes die Betriebsanleitung sorgfältig lesen.



Verwenden Sie nur Original-JOSEF KIHBERG Klammern.



Schützen Sie sich!
Beim Arbeiten, Gehörschutz und Schutzbrille tragen.



Verwenden Sie nur Original-JOSEF KIHBERG-Ersatzteile!
Die Verwendung von anderen als JOSEF KIHBERG-Ersatzteilen schliesst Garantieleistungen und Haftpflicht aus.



Vorsicht: Quetschgefahr!
Finger nicht unter das Gerät halten.



Achtung: Stolperstelle!
Druckluftschlauch so verlegen, dass sich keine Stolperstelle bildet.

Bestimmungsgemässe Verwendung

Dieses Klammergerät ist zum Heften von Stoff, Holz oder Karton (Pappe) bestimmt.

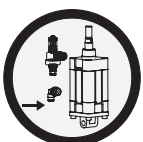
Dieses Klammergerät wurde zum sicheren Umgang während des Heftvorganges entwickelt.



Luftdruck nicht überschreiten!
Den vorgeschriebenen Luftdruck nicht überschreiten.

Möglicher Missbrauch

Schiessen Sie niemals Klammern in die Luft und verwenden Sie das Gerät nicht für Materialien welche oben nicht erwähnt sind.



Original Anschlusskupplungen verwenden!
Es dürfen nur Anschlusskupplungen verwendet werden, die den Sicherheitsvorschriften entsprechen.

Wartungsarbeiten

Je nach Arbeitsverhältnissen und Beanspruchung sind periodisch folgende Wartungsarbeiten durchzuführen:

- Tägliche Kontrolle des Luftdruckes (5–6 bar)
- Regelmässige Kontrolle der Wartungseinheit (Ölstand, Wasserabscheider, Filter)
- Klammergerät regelmässig reinigen.
- Regelmässig den Zustand des Gerätes auf defekte oder abgenutzte Teile prüfen.

Arbeiten Sie nie mit einem Gerät, welches defekte oder abgenutzte Teile aufweist (siehe Kapitel 7.1 bis 7.4).



Keine Gas- oder Druckluftflaschen verwenden!
Das Gerät darf nicht an eine Gas- oder Druckluftflasche angeschlossen werden.



Niemals eine geladenes Gerät unbeaufsichtigt lassen!
Trennen Sie das Gerät von der Luftzufuhr, wenn es nicht in Gebrauch ist.

4

BESCHREIBUNG

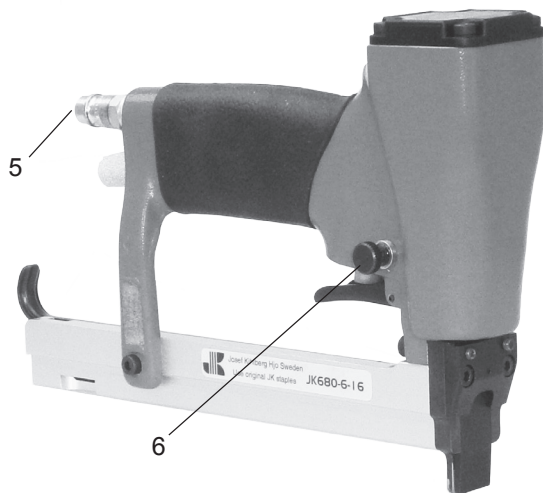
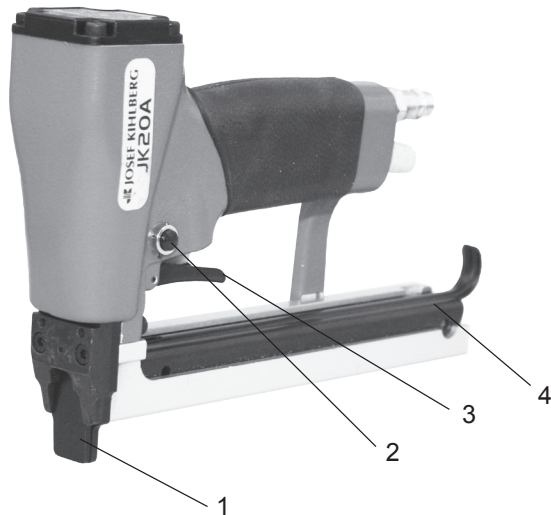


Fig. 1

4.1 AUFBAU

- 1 Vorderplatte
- 2 Einzelfeuers-Taste
- 3 Abzug
- 4 Magazindeckel
- 5 Druckluftanschluss
- 6 Drehknopf Dauer-Feuergeschwindigkeit

4.2 FUNKTIONSPRINZIP

Das Klammergerät JK20A680L hat sowohl Einzel- als auch Dauerfeuer ohne Sicherheitsbügel.



Niemals Klammern in die Luft schießen!

1. **Einzelfeuerung:**
Bei Betätigung der Einzelfeuers-Taste (Fig. 1/2) auf der linken Seite des Gerätes, wird eine einzelne Klammer am Packgut angebracht.
2. **Dauerfeuerung:**
Einzelfeuers-Taste (1/2) loslassen. Abzug (1/3) betätigen, während dem Betätigen des Abzugs erfolgt die Dauerfeuerung.
3. **Dauer-Feuergeschwindigkeit:**
Die Feuergeschwindigkeit wird über den Drehknopf (1/6) auf der rechten Seite des Gerätes eingestellt. Drehen im Gegen-Uhrzeigersinn erhöht die Geschwindigkeit (max. 28 Schläge/sek.) 7 bar;
Drehen im Uhrzeigersinn verringert die Geschwindigkeit.



Warnung:
Vor dem Auslösen, sicherstellen dass sich keine Hand oder andere Körperteile unter dem Gerät befinden.

5

INBETRIEBNAHME

5.1 INBETRIEBNAHME

Das Klammergerät wird ohne montierten Druckluftanschluss ausgeliefert. Druckluftanschluss fogendermassen montieren:

1. Klammergerät aus Verpackung entfernen. Druckluftanschluss überprüfen, ob er mit dem Druckluftsystem übereinstimmt. Gewinde des Anschlusses (Fig. 2/1) mit Dichtmasse sichern.
2. Druckluftanschluss montieren. Anzugs-Drehmoment 7,5 Nm.




Druckluftschlauch so verlegen, dass sich keine Stolperstelle bilden kann.



Fig. 2

5.2 DRUCKLUFTAUFBEREITUNG

 Einwandfrei aufbereitete Druckluft ist Voraussetzung für einen störungsfreien Betrieb des Klammergerätes. Dies kann nur durch eine funktionssichere Wartungseinheit erfüllt werden, welche aus Wasserabscheider, Druckreduzierventil mit Manometer und Ölnebelgerät besteht.



Die lichte Weite der Leitung soll minimum 10 mm betragen. Es muss darauf geachtet werden, dass der Schlauch keine Schlaufen bildet, in welchen sich Öl sammeln kann.

Den maximal zulässigen Luftdruck von 7,0 bar niemals überschreiten. Niedriger Luftdruck führt zu niedrigen Wartungskosten!

Das Klammergerät muss eine Kupplung aufweisen, die automatisch entlüftet wenn das Gerät vom Luftanschluss getrennt wird.

Das Klammergerät benötigt einige Tropfen Schmieröl täglich oder einmal wöchentlich 10 Tropfen. Bei häufigem Einsatz wird das Verwenden eines Ölnebelgerätes empfohlen. Weden Sie sich bitte an Ihren Ansprechpartner.

733007 Schmieröl 0,2 dl. (Fig. 3/1)

Werkseitig sind die Gleitstellen mit dem Fett "Dow Corning grease MS 4 Silicon Compound" versehen. Wir empfehlen die Verwendung diese Fettes ebenfalls für Teile die neu zu ersetzen sind.

184943 Grease MS 4 Silicon Compound (Fig. 3/2)



733007



184943

Fig. 3

6

BEDIENUNG

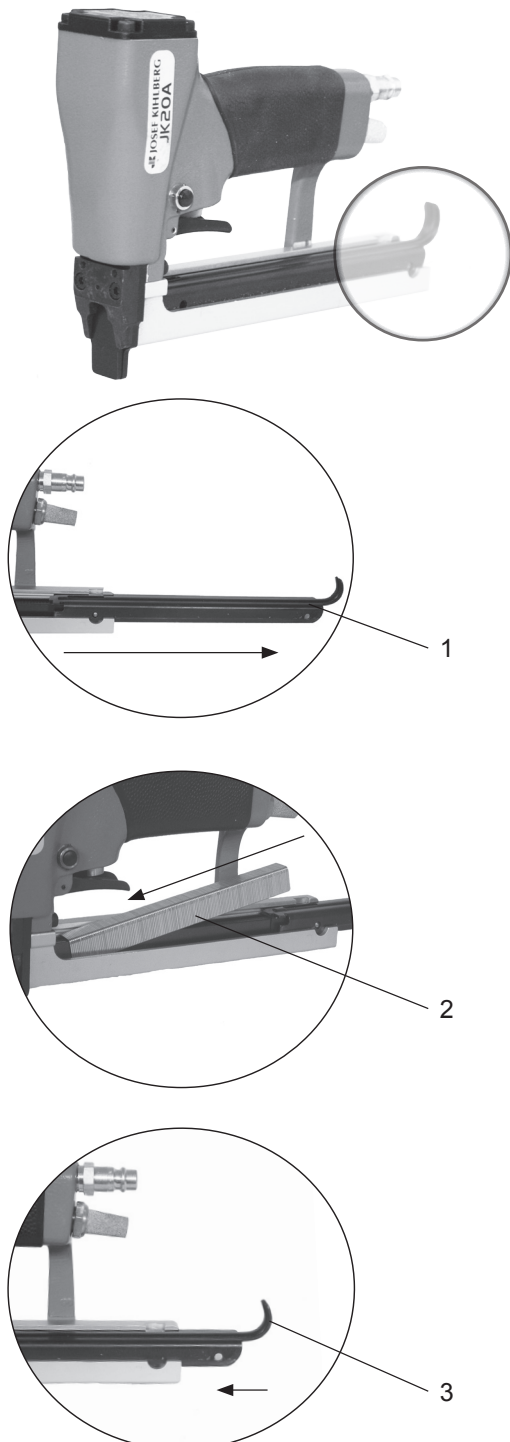


Fig. 4

6.1 MAGAZIN MIT KLAMMERN LADEN



Vor dem Anschliessen des Klammergerätes, sicherstellen dass das Gerät nicht auf Sie oder jemand anders gerichtet ist.

- Vor dem Laden der Klammern, Gerät an Druckluftversorgung anschliessen. Den maximal zulässigen Luftdruck von 7,0 bar niemals überschreiten.
- **Immer Josef Kihlberg Originalklammern JK680 mit Schenkellängen von 6–14 mm verwenden.** Der für das Gerät richtige Klammertyp ist auf der rechten Seite des Magazines angegeben. Sicherstellen, dass Sie die richtige Klammer-Schenkellänge für Ihre Anwendung verwenden.

1. Den Magazindeckel ganz herausziehen (Fig. 4/1)
2. Klammerstreifen (4/2) von links in den Klammertreiber einführen.
3. Den Magazindeckel (4/3) wieder ganz nach vorne drücken bis er einrastet.

6.2 BEDIENUNG DES KLAMMERGERÄTES

Stellen Sie keinen höheren Luftdruck ein als für das richtige Eintreiben der Klammern notwendig ist. Mit 5,0 bar beginnen, danach den Luftdruck um jeweils 0,5 bar erhöhen, bis der richtige Arbeitsdruck gefunden ist. Den maximal zulässigen Luftdruck von 7,0 bar niemals überschreiten.

Niedriger Luftdruck führt zu niedrigen Wartungskosten!



Stellen Sie sich vor dem Gebrauch des Gerätes immer in eine stabile aufgerichtete Position. Darauf achten, dass das Gerät niemals zu dicht an einer Kante oder schräg aufgesetzt wird. Dadurch wird ein Abprallen von Klammern vermieden.

- Das Gerät immer fest auf das Packstück aufsetzen. Niemals Klammern in sehr harte oder spröde Materialien eintreiben.



Warnung:
Vor dem Auslösen, sicherstellen dass sich keine Hand oder andere Körperteile unter dem Gerät befinden.

- Abzug betätigen, wie in Kapitel 4.2 (Dauerfeuer) beschrieben.
- Bewegen Sie das Klammergerät seitlich, bis die notwendigen Klammern angebracht sind, danach Abzug loslassen.

7

WARTUNG UND INSTANDSETZUNG



Für alle Wartungs- und Instandsetzungsarbeiten, Klammergerät von der Druckluftzufuhr trennen.

7.1 REINIGUNG

Dieses Klammergerät erfordert keine besondere Wartung. Regelmässig mit einem nicht-aggressiven (nicht korrosiven) Reinigungsmittel das Gerät reinigen. Für die Reinigung sind keine Teile zu entfernen!



Prüfen Sie täglich das ordnungsgemässe Funktionieren aller Sicherheitseinrichtungen. Besonders zu überprüfen sind:

- das der Abzug sich reibungslos bewegt und die Vorderplatte sowie der Magazineckel sich nicht von selbst öffnen.
- dass alle Schrauben und Muttern korrekt angezogen sind.
- dass das Gerät wie in Kapitel 5.2 beschrieben, regelmässig geschmiert wird.

7.2 STECKENGEBLIEBENE KLAMMERN ENTFERNEN

Steckengebliebene Klammern folgendermassen entfernen:

- Die Vorderplatte mit einem Schraubenzieher (Fig. 5/1) öffnen. Die Vorderplatte hat drei Nuten, dies vereinfacht die Demontage.
- Remove the door.
- Magazin auf steckengebliebene Klammern prüfen.
- Vorderplatte wieder positionieren und andrücken bis sie einrastet.



Darauf achten, dass die drei Nuten der Vorderplatte nach vorne positioniert sind.

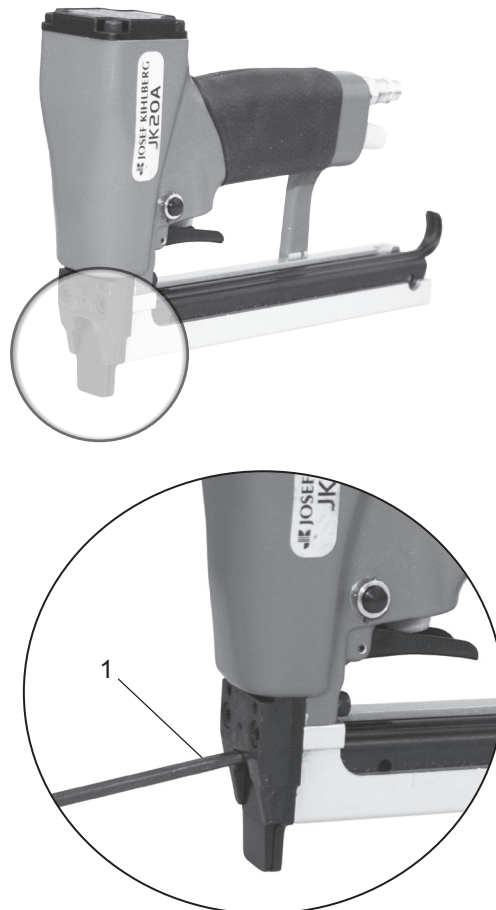


Fig. 5

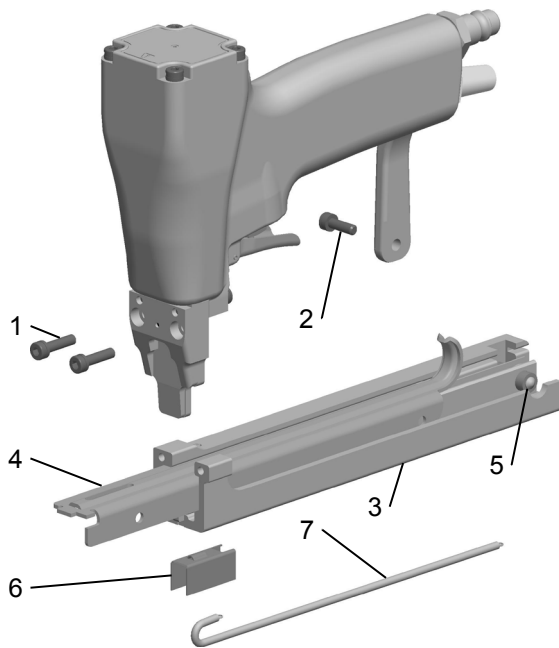


Fig. 6

7.3 MAGAZINFEDER ERSETZEN

- Gerät vom Luftanschluss trennen.
- Hintere Zylinderschraube (Fig 6/2) lösen.
- Zwei Zylinderschrauben (6/1) lösen und Magazin (6/3) entfernen.
- Den Magazineckel (6/4) ganz herausziehen.
- Schieber (6/6) und dazugehörige Feder (6/7) entfernen.
- Schieber (6/6) wieder montieren. Dazu muss die Feder (6/7) ein wenig gespannt werden, Feder an hinterem Haken einhängen.
- Magazineckel (6/4) von vorne montieren.
- Magazin wieder an Gerät positionieren. Zuerst die vorderen beiden Zylinderschrauben (6/1) und danach die Zylinderschraube (6/2) montieren.

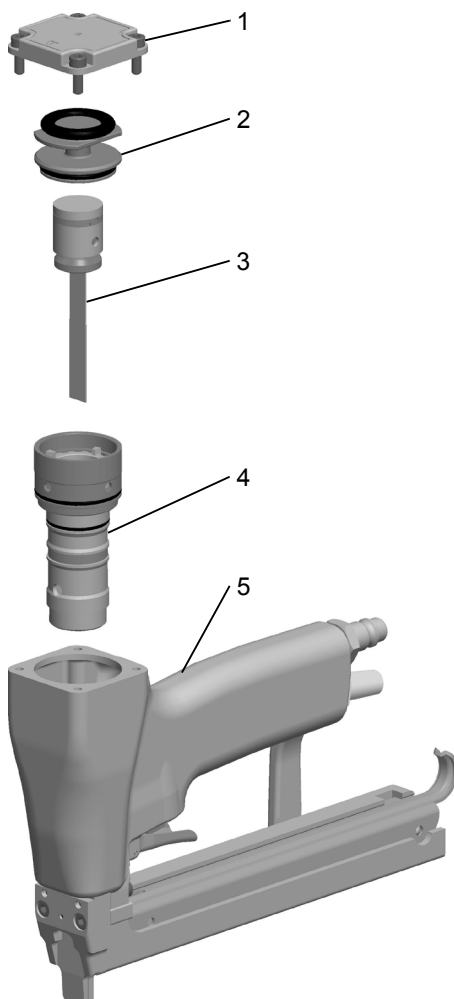


Fig. 7

7.4 ANTRIEBSSCHIENE ERSETZEN

- Gerät vom Luftanschluss trennen.
- Vier Zylinderschrauben (Fig. 7/1) lösen und Deckel entfernen.
- Zylinderdeckel (7/2) entfernen.
- Gerät auf den Kopf drehen und mit einem Stück Holz vorsichtig die Teile herausschlagen.
- Zylinder (7/4) entfernen.
- Kolben festhalten und Antriebsschiene $\frac{1}{4}$ Umdrehung drehen. Stift entfernen und Antriebsschiene ersetzen.
- Die Teile in umgekehrter Reihenfolge montieren. Es ist zu beachten, dass die Antriebsschiene wieder $\frac{1}{4}$ Umdrehungen gedreht wird.
- Alle Teile und O-Ringe einfetten (Grease, Artikel-Nr. 184943).
- Zylinder (7/4) und Kolben (7/3) wieder montieren.
- Prüfen ob sich die Teile im Zylinder gut bewegen lassen.
- Zylinderdeckel (7/2) wieder montieren.
- Deckel mit den vier Zylinderschrauben (7/1) wieder montieren.

8

STÖRUNGSBEHEBUNG



Für Störungsbehebung zuerst das Klammergerät von der Druckluftzufuhr trennen.

STÖRUNG	BEHEBUNG
<p>Beim Betätigen des Abzuges werden keine Klammern ausgestossen</p>	<ul style="list-style-type: none"> – Kontrollieren ob Original-Klammern verwendet werden. – Immer Josef Kihlberg Originalklammern verwenden. – Kontrollieren ob die Magazinfeder in Ordnung ist. Nötigenfalls ersetzen. – Kontrollieren ob der Schieberkolben in Ordnung ist. Nötigenfalls ersetzen. – Schmutz in der Klammerbahn beseitigen. – Luftdruck zu tief. Luftdruck einstellen (siehe Kapitel 6.2).
<p>Ungenügende Eintreibkraft. Die Klammern dringen nicht genügend tief ein</p>	<ul style="list-style-type: none"> – Luftdruck einstellen (siehe Kapitel 6.2). – Wurde das Gerät regelmässig geschmiert? Siehe auch Kapitel 5.2. – Längere Antriebsschiene einbauen.
<p>Geräuschpegel ist zu hoch</p>	<ul style="list-style-type: none"> – Luftdruck einstellen (siehe Kapitel 6.2). – Überprüfen ob das Packgut fest gehalten wird. Vibration kann hohen Geräuschpegel verursachen.
<p>Steckengebliebene Klammer entfernen</p>	<ul style="list-style-type: none"> – Siehe Kapitel 7.2.

FRANCAIS**TABLE DES MATIÈRES**

	Seite
1 Données techniques	32
2 Instructions générales	33
2.1 Remarque relative à la protection de l'environnement	33
3 Instructions de sécurité	34
4 Description	35
4.1 Modules principaux	35
4.2 Fonctionnement	35
5 Mise en service	36
5.1 Mise en service	36
5.2 Raccordement pneumatique	36
6 Mode d'emploi	37
6.1 Chargement du magasin avec agrafes	37
6.2 Mode d'emploi pour l'appareil	37
7 Instruction de service	38
7.1 Nettoyage	38
7.2 Enlèvement d'une agrafe bloquée	38
7.3 Remplacer le chargeur d'agrafes	39
7.4 Remplacer le rail d'entraînement	39
8 Dépannage	40
9 Jeu de pièces détachées	41
10 Vue éclatée	42
Pièces de rechange recommandées	44

SE JOSEF KIHLBERG AB

Industrigatan 37B

SE- 544 50 Hjo

Telephone: +46 503 328 00
 Fax: +46 503 328 01
 E-mail: reception@kihlberg.se
 Internet: www.kihlberg.com

1**DONNÉES TECHNIQUES**

Poids	1,2 kg
Encombrement	Longueur 365 mm Largeur 43 mm Hauteur 150 mm
Capacité du chargeur	286 agrafes
Largeur de branche des agrafes	6–14 mm
Protrusion	14 mm
Pression d'utilisation recommandée de l'air comprimé	5–6 bar
Pression d'air (max)	7 bar
Consommation d'air comprimé à 6 bar	0,2 litres
Valeurs selon:	EN 12549
Niveaux de pression acoustique, évaluation type A à la place de travail	85 dB
Niveau énergétique, évaluation de type A	91 dB
Intensité de vibration:	La valeur de vibration est située au-dessous de la limite donnée dans la déclaration de conformité EN 792-13, mesurée selon ISO 8662-11

AGRAFES

Agrafe JK680-06 (1/4")	No d'article 400283
Agrafe JK680-08 (1/16")	No d'article 400285
Agrafe JK680-10 (3/8")	No d'article 400288
Agrafe JK680-12 (1/2")	No d'article 400292
Agrafe JK680-14 (9/16")	No d'article 400294

DÉCLARATION DE CONFORMITÉ

Nous déclarons sous notre propre responsabilité que l'appareil JK20A680L A ci-dessus, au sujet duquel se réfère cette déclaration, est conforme avec les prescriptions en vigueur de la directive du conseil du 17 mai 2006 (2006/42/CE) "Directive pour machines".

Normes considérées:
 ISO 12100:2010; EN 792-13+A1:2008

SE-544 50 HJO, 05.06.2014

Production Manager:

Anders Pettersson

Le responsable pour la publication de la documentation technique: Josef Kihlberg AB, Industrigatan 37B, SE-544 50 HJO

2

INSTRUCTIONS GÉNÉRALES



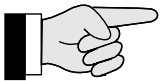
PRUDENCE!

Utilisé si risque de mort ou d'atteinte à la santé.



ATTENTION!

Utilisé si risque de casse matérielle.



REMARQUE!

Utilisé pour les remarques générales et pour les remarques qui, si on ne les respecte pas, entraînent des perturbations de fonctionnement.

Ces instructions de service doivent faciliter la connaissance de l'appareil et les possibilités d'utilisation selon les règles. Les instructions de service contiennent d'importants renseignements, à savoir comment l'appareil doit fonctionner en toute sécurité, selon les critères professionnels et d'une manière économique. Les respecter aide à éviter les dangers, à diminuer les réparations et les temps d'arrêt et à augmenter la fiabilité de l'appareil et sa durée de vie.

Les instructions de service doivent constamment être à disposition sur le lieu d'utilisation de l'appareil. Elles doivent être lues et appliquées par toutes les personnes qui sont chargées de travaux sur l'appareil. Ces travaux comprennent en particulier le service, l'alimentation des consommables, l'élimination des pannes et l'entretien.

En plus des instructions de service et des règlements pour la protection contre les accidents valables dans le pays et à l'endroit d'utilisation, il faut également appliquer les règles de sécurité techniques pour un travail professionnel et en sécurité.

2.1 REMARQUE RELATIVE À LA PROTECTION DE L'ENVIRONNEMENT

Cet appareil est fabriqué sans aucun matériau nuisible pour la santé. L'élimination de cet appareil doit être effectuée en respectant les lois nationales.

3

INSTRUCTIONS DE SÉCURITÉ



Renseignez-vous!
Avant l'utilisation de l'appareil, consultez soigneusement le mode d'emploi.



N'utilisez que des agrafes d'origine Josef Kihlberg!



Protégez-vous!
Au cours du travail, porter des protections acoustiques et de lunettes de protection.



N'utilisez que des pièces de rechange d'origine Josef Kihlberg!
En cas contraire Josef Kihlberg peut refuser les prestations de garantie.



Prudence: danger d'écrasement!
Ne pas laisser les doigts sous l'appareil.

Utilisation conforme

Cette agrafeuse est destinée à l'agrafage de l'étoffe, du bois ou du carton (carton-pâte).



Attention: danger de trébucher!
Déplacer le tuyau d'air comprimé de manière à ce qu'il ne présente aucun danger de trébucher.

Cette agrafeuse a été développée pour un maniement sûr au cours du processus d'agrafage.

Utilisation abusive

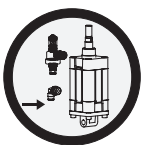
Ne tirez jamais des agrafes dans l'air et n'utilisez pas l'appareil pour des matières qui ne sont pas mentionnées ci-dessus.



La pression d'air comprimé ne doit pas être supérieure!
La pression d'air comprimé recommandée ne doit pas dépasser.

Travaux de maintenance

Suivant les conditions de travail et les contraintes, les travaux de maintenance périodiques suivants sont à effectuer:



Employez toujours un raccord d'air!
Employez toujours un accouplement de sûreté comme raccord d'air.

- contrôle quotidien de la pression d'air comprimé (5–6 bar)
- contrôle régulier de l'unité de maintenance (niveau d'huile, collecteur d'eau, filtres)
- nettoyer l'appareil régulièrement
- vérifier régulièrement l'état de l'appareil à propos d'éventuelles déficiences ou de pièces usées. Ne travaillez jamais avec un appareil présentant des pièces défectueuses ou usées (chapitre 7.1 à 7.4).



Bouteilles gaz ou d'air comprimé interdites!
Interdiction de branchement de l'appareil à une bouteille de gaz ou d'air comprimé.



Ne jamais laisser un appareil chargé sans surveillance!
Séparez l'appareil de l'amenée d'air comprimé lorsque ce dernier n'est pas utilisé.

4

DESCRIPTION

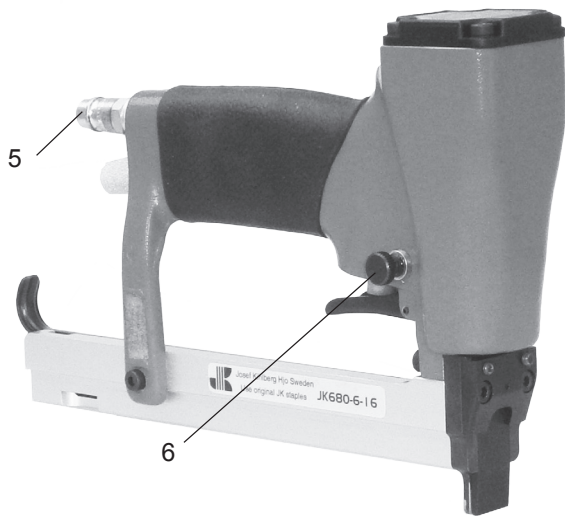
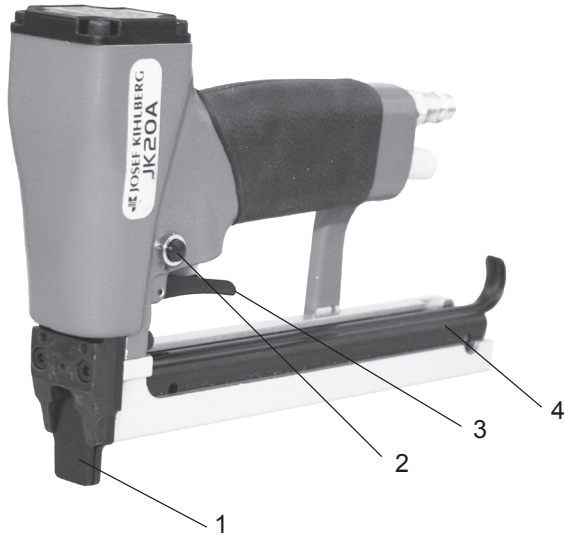


Fig. 1

4.1 MODULES PRINCIPAUX

- 1 Plaque frontale
- 2 Touche de déclenchement unique
- 3 Gâchette
- 4 Couvercle du chargeur
- 5 Raccordement d'air comprimé
- 6 Molette de fréquence de déclenchement

4.2 FONCTIONNEMENT

L'agrafeuse JK20A 680L possède un déclenchement unique aussi bien que répétitif sans étrier de sécurité.



Ne jamais tirer des agrafes dans l'air!

1. **Déclenchement unique:**
En actionnant la touche de déclenchement unique (Fig. 1/2) sur le côté gauche de l'appareil, une seule agrafe est appliquée sur le colis.
2. **Déclenchement répétitif:**
Relâcher la touche de déclenchement unique (1/2). Actionner la gâchette (1/3), le déclenchement répétitif a lieu pendant l'activation de la gâchette.
3. **Fréquence du déclenchement répétitif:**
La fréquence du déclenchement répétitif est ajustée à l'aide de la molette (1/6) sur la partie droite de l'appareil. Tourner dans le sens contraire des aiguilles d'une montre augmente la fréquence (max. 28 coups/s) 7 bar; tourner dans le sens des aiguilles d'une montre diminue la fréquence.



Avertissement:
Avant le déclenchement, il faut s'assurer qu'aucune main ou une autre partie du corps ne se trouve sous l'appareil.

5

MISE EN SERVICE

5.1 MISE EN SERVICE

L'agrafeuse est livrée sans raccord d'air comprimé installé. Installer le raccord de la manière suivante:

1. Sortir l'agrafeuse de l'emballage. Vérifier le raccord d'air comprimé pour voir s'il correspond avec le système d'air comprimé. Sécuriser le filetage du raccord (Fig. 2/1) avec un composant pour joints.
2. Monter le raccord pneumatique. Couple de montage 7,5 Nm.




Déplacer le tuyau d'air comprimé de manière à ce qu'il ne présente aucun danger de trébucher.



Fig. 2

5.2 RACCORDEMENT PNEUMATIQUE

 Par conséquent, la condition impérative pour un fonctionnement fiable de l'appareil est une alimentation sans défaillances en air comprimé traité. Cette condition n'est remplie que par l'utilisation d'une unité de traitement composée d'un déshumidificateur, d'une soupape de réduction de pression, d'un manomètre et d'un dispositif de créat on de brouillard d'huile.



Le trou du tuyau doit être au minimum de 10 mm. Il faut veiller à ce que le tuyau ne fasse pas de boucles dans lesquelles de l'huile pourrait stagner.

Ne jamais dépasser la pression maximale autorisée de 7,0 bar. Une pression d'air plus faible a pour conséquence des frais de maintenance plus avantageux!

L'agrafeuse nécessite un raccord qui se purge automatiquement lorsque l'appareil est séparé du raccord pneumatique.

L'agrafeuse nécessite quelques gouttes d'huile de lubrification quotidiennement ou une fois 10 gouttes hebdomadairement. En cas d'utilisation intensive, un brumisate ur à huile est recommandé. Adressez-vous à votre fournisseur attiré.

733007 Huile de lubrification 0,2 dl (Fig. 3/1)

Les parties coulissantes sont prévues d'usine avec de la graisse "Dow Corning grease MS 4 Silicon Compound". Nous recommandons l'utilisation de cette graisse également pour les composants qui sont nouvellement remplacés.

184943 Grease MS 4 Silicon Compound (Fig.3/2)



Fig. 3

6

MODE D'EMPLOI

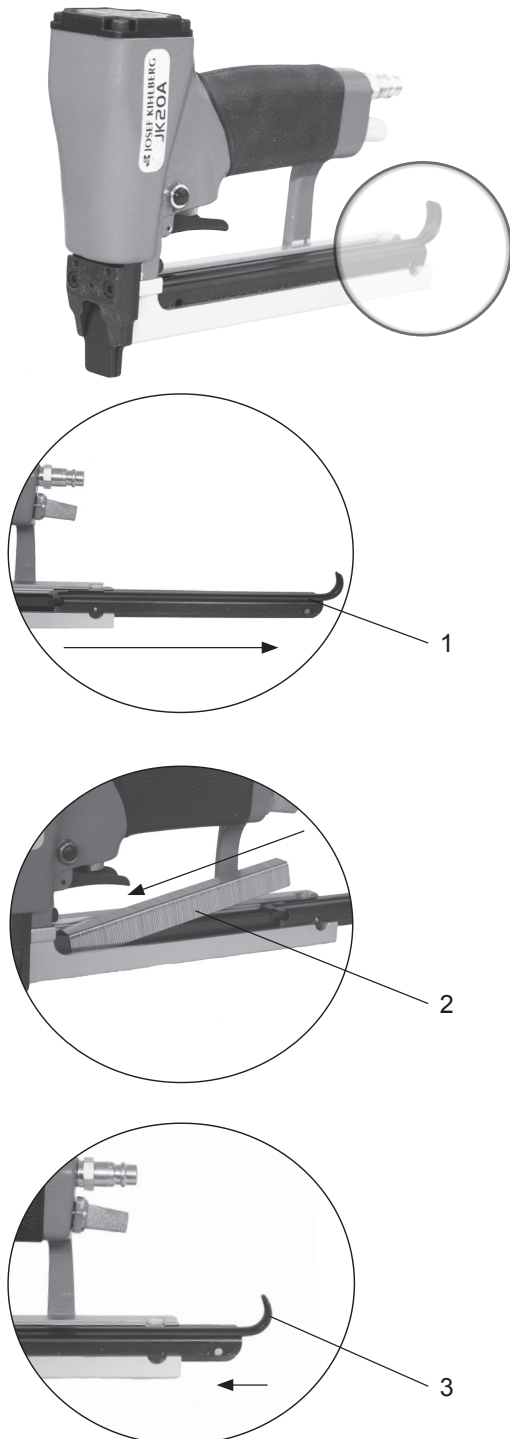


Fig. 4

6.1 CHARGEMENT DU MAGASIN AVEC AGRAFES



Avant le raccordement de l'agrafeuse, il faut s'assurer que cette dernière n'est pas dirigée contre vous ou quelqu'un d'autre.

- Avant de charger des agrafes, raccorder l'appareil à la conduite d'air comprimé. La pression maximale admissible de 7,0 bar ne doit jamais être franchie.
- **Toujours utiliser des agrafes d'origine Josef Kihlberg JK680 avec des dimensions de 6–14 mm.**

Le type d'agrafe adéquat pour l'appareil est indiqué sur la partie droite du chargeur. Il faut s'assurer que vous utilisez la dimension d'arête adéquate pour votre application.

1. Retirer complètement le couvercle du chargeur (Fig. 4/1)
2. Introduire les bandes d'agrafes (4/2) depuis la gauche dans le support à agrafes
3. Presser à nouveau le couvercle du chargeur (4/3) complètement vers l'avant jusqu'à ce qu'il s'enclenche.

6.2 MODE D'EMPLOI POUR L'APPAREIL

N'ajustez pas de pression pneumatique plus élevée que celle nécessaire pour chasser correctement les agrafes. Commencer avec 5,0 bar, puis augmenter la pression pneumatique par pas de 0,5 bar jusqu'à ce que la pression de travail soit trouvée. Ne jamais dépasser la pression pneumatique autorisée de 7,0 bar. Une pression basse entraîne des frais de maintenance plus avantageux.



Avant l'utilisation de l'appareil, placez-vous toujours suivant une position redressée et stable.

Faire attention que l'appareil ne soit jamais placé trop fortement sur un bord ou en biais. Ceci permet d'éviter un ricochet des agrafes.

- Toujours placer l'appareil fermement sur le colis. Ne jamais chasser des agrafes dans des matières très dures ou cassantes.



Avertissement:
Avant le déclenchement, s'assurer qu'aucune main ou une autre partie du corps ne se trouve sous l'appareil.

- Actionner la gâchette, comme décrit dans le chapitre 4.2 (déclenchement répétitif).
- Déplacez l'agrafeuse latéralement jusqu'à ce que les agrafes nécessaires aient été placées, puis relâcher la gâchette.

7

INSTRUCTION DE SERVICE



En tous cas d'entretien l'outil est d'abord à débrancher de l'air comprimé.

7.1 NETTOYAGE

Cette agrafeuse pour fonds et côtés de cartons ne nécessite pas de maintenance particulière. Nettoyer la machine régulièrement avec un détergent non agressif (non corrosif). Les petites pièces doivent être retirées pour le nettoyage!



Vérifier quotidiennement le fonctionnement correct de tous les dispositifs de sécurité. Il faut tout particulièrement vérifier:

- que la gâchette se déplace sans frottement et que la plaque frontale de même que le couvercle du chargeur ne s'ouvre pas de manière intempestive.
- que toutes les vis et les écrous sont serrés correctement.
- que l'appareil tel que décrit dans le chapitre 5.2 est lubrifié régulièrement.

7.2 ENLÈVEMENT D'UNE AGRAFE BLOQUÉE

Éliminer les agrafes coincées de la manière suivante:

- Ouvrir la plaque frontale à l'aide d'un tournevis (Fig. 5/1). La plaque frontale possède 3 encoches, cela facilite le démontage.
- Retirer la porte.
- Vérifier le chargeur à propos d'agrafes coincées.
- Positionner la plaque frontale et appuyer jusqu'à ce qu'elle s'encliquette.



Faire attention que les 3 encoches de la plaque frontale sont positionnées vers l'avant.

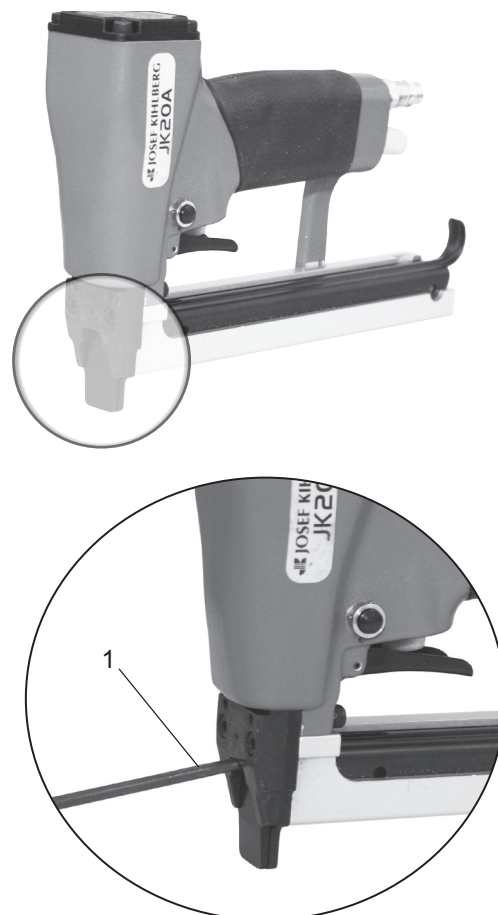


Fig. 5

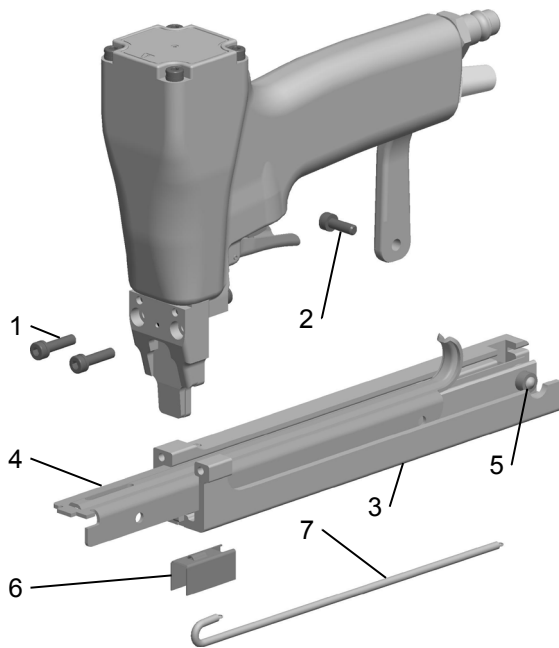


Fig. 6

7.3 REMPLACER LE CHARGEUR D'AGRAFES

- Séparer l'appareil du raccordement pneumatique.
- Dévisser la vis à tête cylindrique arrière (Fig. 6/2).
- Dévisser les deux vis à tête cylindriques (6/1) et retirer le chargeur (6/3).
- Retirer complètement le couvercle du chargeur (6/4).
- Retirer le coulisseau (6/6) ainsi que son ressort (6/7).
- Remonter le coulisseau (6/6). De manière que le ressort (6/7) soit un peu tendu, accrocher le ressort au crochet arrière.
- Remonter le couvercle du chargeur (6/4) depuis l'avant.
- Repositionner le chargeur sur l'appareil. D'abord monter les deux vis à tête cylindriques avant (6/1) puis la vis à tête cylindrique (6/2).

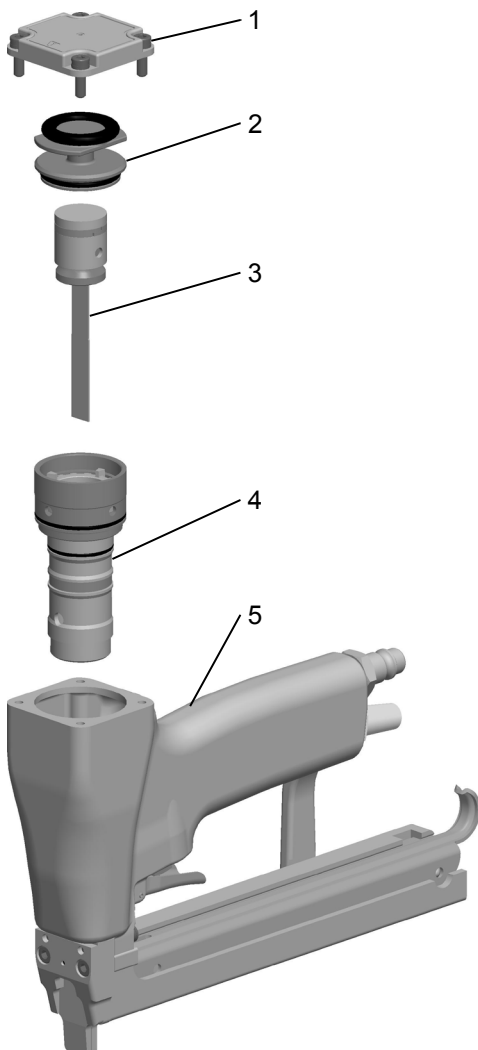


Fig. 7

7.4 REMPLACER LE RAIL D'ENTRAÎNEMENT

- Séparer l'appareil du raccordement pneumatique.
- Dévisser les quatre vis à tête cylindrique (fig. 7/1) et retirer le couvercle.
- Retirer le couvercle cylindrique (7/2).
- Retourner l'appareil sur la tête et chasser prudemment les pièces à l'aide d'un morceau de bois.
- Retirer le cylindre (7/4).
- Immobiliser le piston et tourner le rail d'entraînement d'un $\frac{1}{4}$ de tour. Retirer la goupille et remplacer le rail d'entraînement.
- Remonter les pièces dans l'ordre inverse. Il est à noter que le rail d'entraînement est à nouveau tourné $\frac{1}{4}$ tour.
- Lubrifier toutes les pièces et les o-rings (Grease n° art. 184943).
- Remonter le cylindre (7/4) et le piston (7/3).
- Vérifier si les pièces peuvent se déplacer facilement dans le cylindre.
- Remonter le couvercle cylindrique (7/2).
- Remonter le couvercle avec les quatre vis à tête cylindrique (7/1).

8

DÉPANNAGE

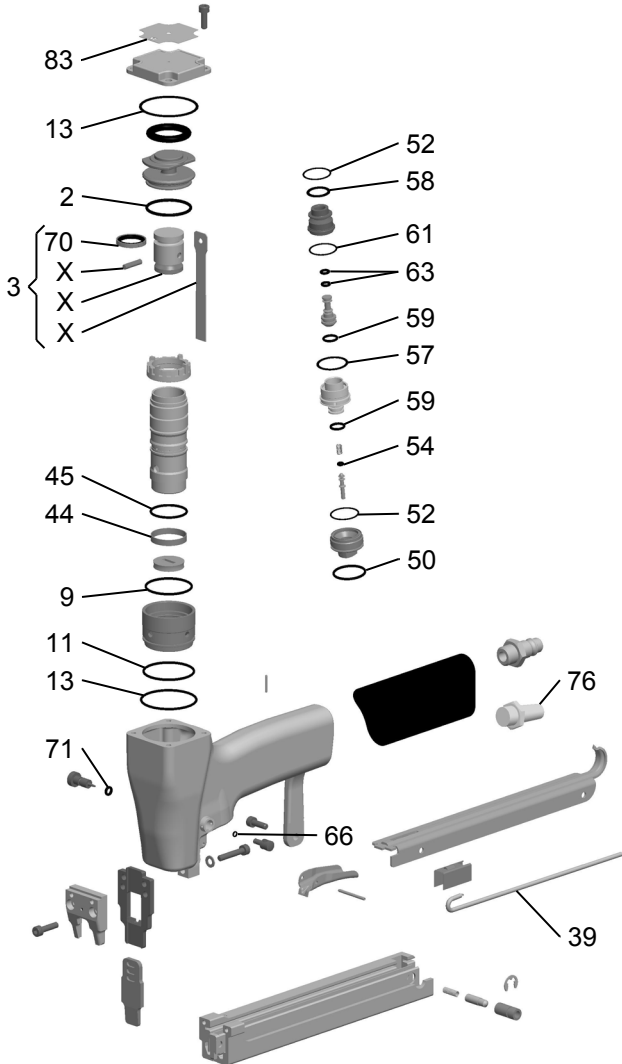


En tous cas dépannage l'outil est d'abord à déraccorder de l'air comprimé.

PANNE	INTERVENTION
<p>Les agrafes ne sont pas éjectées lors de l'activation de la gâchette</p>	<ul style="list-style-type: none"> – Contrôler sur des agrafes originales sont employées. – Toujours utiliser des agrafes d'origine Josef Kihlberg – Contrôler si le ressort du chargeur est en ordre. Remplacer le cas échéant. – Contrôler si le piston de la glissière est en ordre. Remplacer le cas échéant. – Eliminer la poussière du guide des agrafes. – Pression pneumatique trop faible. Régler la pression de l'air comprimé (voir chapitre 6.2).
<p>Force d'enfoncement insuffisante. Les agrafes ne pénètrent pas suffisamment profondément</p>	<ul style="list-style-type: none"> – Ajuster la pression pneumatique (voir chapitre 6.2). – L'appareil a-t-il été lubrifié régulièrement? Voir également chapitre 5.2. – Monter un rail d'entraînement plus long.
<p>L'outil fail trop de bruit</p>	<ul style="list-style-type: none"> – Ajuster la pression pneumatique (voir chapitre 6.2). – Vérifier si le colis est bien maintenu. La vibration peut provoquer un niveau de bruit important.
<p>Enlèvement d'une agrafe bloquée</p>	<ul style="list-style-type: none"> – voir chapitre 7.2.

9

SPARE PARTS KIT / RESERVDELAR SOM DELAR / ERSATZTEIL-SET / JEU DE PIÈCES



O-ring Kit 143115 (All JK20Automatic tools)

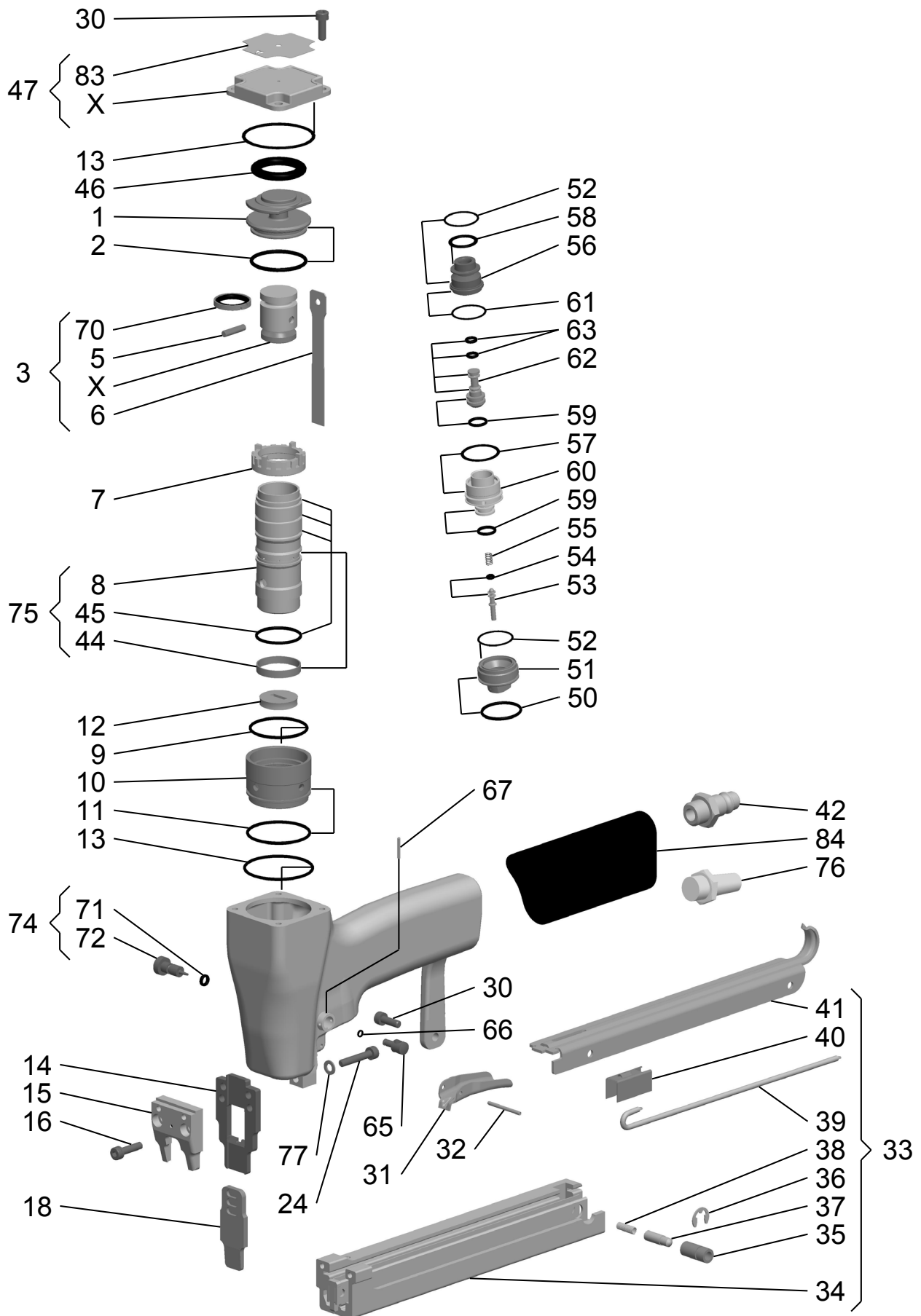
Pos.	Part No. Artikelnr.	Part Name	Benämning	Antal Qty.
2	972177	O-ring	O-ring	1
9	972007	O-ring	O-ring	1
11	972071	O-ring	O-ring	1
13	972023	O-ring	O-ring	2
44	148015	Seal Back valve	Tätningring backventil	1
45	972028	O-ring	O-ring	3
50	972021	O-ring	O-ring	1
52	972040	O-ring	O-ring	2
54	972057	O-ring	O-ring	1
57	972039	O-ring	O-ring	1
58	972030	O-ring	O-ring	1
59	972020	O-ring	O-ring	1
61	972076	O-ring	O-ring	1
63	972070	O-ring	O-ring	2
66	972034	O-ring	O-ring	1
71	972084	O-ring	O-ring	1
70	972124	O-ring	O-ring	1
184943		O-ring grease	JK silicon compoud	1

Repair Kit 143122 (JK20A680 short magazines)

Pos.	Part No. Artikelnr.	Part Name	Benämning	Antal Qty.
2	972177	O-ring	O-ring	1
3	134241	Piston with driver L=84 mm	Kolv kpl. L=84 mm	1
9	972007	O-ring	O-ring	1
11	972071	O-ring	O-ring	1
13	972023	O-ring	O-ring	2
39	173053	Feed spring L=130mm	Frammatarfjäder L=130mm	1
44	148015	Seal Back valve	Tätningring backventil	1
45	972028	O-ring	O-ring	3
50	972021	O-ring	O-ring	1
52	972040	O-ring	O-ring	2
54	972057	O-ring	O-ring	1
57	972039	O-ring	O-ring	1
58	972030	O-ring	O-ring	1
59	972020	O-ring	O-ring	1
61	972076	O-ring	O-ring	1
63	972070	O-ring	O-ring	2
66	972034	O-ring	O-ring	1
71	972084	O-ring	O-ring	1
76	971004	Sound absorber	Ljuddämpare	1
83	110287	Warning lable	Varningsskylt	1
184943		O-ring grease	JK silicon compoud	1

Repair Kit 143123 (JK20A680L long magazines)

Pos.	Part No. Artikelnr.	Part Name	Benämning	Antal Qty.
2	972177	O-ring	O-ring	1
3	134241	Piston with driver L=84 mm	Kolv kpl. L=84 mm	1
9	972007	O-ring	O-ring	1
11	972071	O-ring	O-ring	1
13	972023	O-ring	O-ring	2
39	173054	Feed spring L=218mm	Frammatarfjäder L=218mm	1
44	148015	Seal Back valve	Tätningring backventil	1
45	972028	O-ring	O-ring	3
50	972021	O-ring	O-ring	1
52	972040	O-ring	O-ring	2
54	972057	O-ring	O-ring	1
57	972039	O-ring	O-ring	1
58	972030	O-ring	O-ring	1
59	972020	O-ring	O-ring	1
61	972076	O-ring	O-ring	1
63	972070	O-ring	O-ring	2
66	972034	O-ring	O-ring	1
71	972084	O-ring	O-ring	1
76	971004	Sound absorber	Ljuddämpare	1
83	110287	Warning lable	Varningsskylt	1
184943		O-ring grease	JK silicon compoud	1



10

Parts list JK20A680L

JK20A680L

Teileliste JK20A680L

When ordering please indicate part number

Vid beställning var vänlig ange artikelnumera

Bei Bestellungen immer Artikel-Nr. angeben

Pos.	Part No. Artikelnr. Artikel-Nr.	Part Name Benämning Benennung	Quantity		Antal Stückzahl	
1	150436	Cylinder cap		Lock för cylinder foder	Zylinderdeckel	1
*	2	972177	O-ring	O-ring	O-ring	1
*	3	134102	Piston with driver long	Kolv kpl. med drivare lång	Kolben mit langem Treiber	1
3	134241	Piston with driver short		Kolv kpl. med drivare kort	Kolben mit kurzem Treiber	1
5	145099	Driver pin		Drivarhållarpinne	Stift	1
*	6	164039	Driver blade long	Drivare lång	Antriebsschne lang	1
*	6	164094	Driver blade short	Drivare kort	Antriebsschne kurz	1
7	150102	Cylinder top ring		Cylindertoppring	Zylinderring	1
8	190066	Cylinder		Cylinderfoder	Zylinder	1
9	972007	O-ring		O-ring	O-ring	1
10	150409	Cage		Hylsat	Büchse	1
11	972071	O-ring		O-ring	O-ring	1
12	149054	Bumper		Kolvdämpare	Dämpfer	1
13	972023	O-ring		O-ring	O-ring	2
14	166212	Rear Nozzle plate		Bakre drivarstyrning	Führungsplatte	1
15	135613	Guide door		Dörrstyrning	Führungsplatte	1
16	946662	Screw		Skruv	Zylinderschraube	2
18	166209	Dorr		Dörr	Vorderplatte	1
24	946705	Screw		Skruv	Schraube	2
30	946608	Screw		Skruv	Zylinderschraube	5
31	165040	Trigger		Avtryckare	Abzug	1
32	945039	Tension pin		Spännstift	Spannstift	1
33	132218	Magazine short		Magasin kort	Magazin kurz	1
33	132223	Long magazine		Magasin lång	Magazin lang	1
34	132678	Rail short		Klammerbana kort	Führung kurz	1
34	132681	Rail long		Klammerbana long	Führung lang	1
35	150121	Lock cage		Spärrhylsa	Büchse	1
36	951037	Retainer		Spärryttare	Sicherungsring	1
37	160051	Lock piston		Låskolv	Stift	1
38	173052	Lock spring		Låsfjäder	Feder	1
*	39	173053	Feedre spring short	Frammatarfjäder kort	Magazinfeder kurz	1
*	39	173054	Feeder spring long	Frammatarfjäder lång	Magazinfeder lang	1
40	161118	Pusher		Frammatåre	Schieber	1
41	170029	Magazine lid short		Magasinlock kort	Magazindeckel kurz	1
41	170030	Magazine lid long		Magasin lock lång	Magazindeckel lang	1
42	987023	Nipple		Nippel	Druckluftanschluss	1
44	148015	Seal back valve		Tätningring backventil	Dichtring	1
45	972028	O-ring		O-ring	O-ring	3
46	972185	O-ring		O-ring	O-ring	1
47	139460	Top cap		Lock	Deckel	1
50	972021	O-ring		O-ring	O-ring	1
51	146102	Nut		Mutter	Mutter	1
52	972040	O-ring		O-ring	O-ring	2
53	191082	Valve stem		Ventilspindel	Ventilspindel	1
54	972057	O-ring		O-ring	O-ring	1
55	173065	Valve spring		Fjäder	Ventilfeder	1
56	191081	Upper valve cage		Ventilhylsa övre	Ventildeckel oben	1
57	972039	O-ring		O-ring	O-ring	1
58	972030	O-ring		O-ring	O-ring	1
59	972020	O-ring		O-ring	O-ring	2
60	191079	Lower valve cage		Ventilhylsa nedre	Ventildeckel unten	1
61	972076	O-ring		O-ring	O-ring	1
62	191083	Air stem		Luftstyrd spindel	Luftdüse	1
63	972070	O-ring		O-ring	O-ring	2
65	191053	Button single shot		Avstängningsknapp enkelskott	Einzelfeuerungs-Taste	1
66	972034	O-ring		O-ring	O-ring	1
67	945041	Tension pin		Spännstift	Stift	1
70	972124	Set of piston rings		Kolvringsatts	Kolbenring-Set	1
71	972084	O-ring		O-ring	O-ring	1
72	146106	Regulator screw		Strypskruv	Drehknopf	1
74	146086	Regulator screw assy.		Strypskruv kpl.	Drehknopf kpl.	1
75	136074	Cylinder with seals		Cylinderfoder med tätningar	Zylinder mit Dichtungen	1
76	971004	Sound absorber		Ljuddämpare	Schalldämpfer	1
77	947008	Lock washer		Låsbricka	Sicherungsring	2
82	191084	Valve cage		Ventilhylsa	Ventilführung	1
83	110287	Warning label		Varningsskylt	Gefahrenschild	1
84	035292	Handle sleeve		Gummihantag	Griffhülse	1

* Recommended wear parts

* Rekommenderade slitdelar

* Empfohlene Verschleissteile

Spare Parts Shop JOSEF KIHMBERG

Select tool Direct Order Checkout Register Login

c.561 PN22
Please click on item for more information

Welcome to our Spare Parts Shop

Login
Account no:
User name:
Password:
Log in

New customer?
Register

Your shopping cart is empty Net amount: 0,00 kr Shopping cart Checkout

www.kihlberg.com

JOSEF KIHMBERG AB
Industrigatan 37B, 544 50 Hjo, SWEDEN
Tel: +46 503 32800, Fax: +46 503 32801
E-mail: reception@kihlberg.se
www.kihlberg.com