

ENGLISH	3
SVENSKA	12
DEUTSCH	22
FRANÇAIS	32

OPERATING INSTRUCTIONS	Translation of original manual
BRUKSANVISNING	Originalmanual
BETRIEBSANLEITUNG	Übersetzung der Originalbetriebsanleitung
MODE D'EMPLOI	Traduction du mode d'emploi original

JK20T779

From serie no1402486
 Från serienummer 1402486
 Ab Serie-Nr. 1402486
 A partir du no de série 1402486

Pneumatic stapling pliers
 Pneumatisk häftång
 Druckluft-Heftzange
 Agrafeuse pince pneumatique



Before using the tool, read the operating instructions carefully.

Läs igenom bruksanvisningen noga innan du använder klammerverktyget.

Vor dem Gebrauch des Gerätes die Betriebsanleitung aufmerksam lesen.

Avant l'utilisation de l'appareil, consultez soigneusement le mode d'emploi.



TABLE OF CONTENTS

	Page
1 Technical data	2
2 General information	3
2.1 Information on environmental protection	3
3 Safety instructions	4
4 Description	5
4.1 Design	5
4.2 Function	5
5 Initial operation	6
5.1 Installation	6
5.2 Compressed-air connection / Lubrication	6
6 Operating instructions	7
6.1 Loading the stapler	7
6.2 Operating the bottom stapler	7
7 Preventive and corrective maintenance	8
7.1 Cleaning the stapler	8
7.2 Removing jammed staples	8
7.3 Replace feed spring or pusher	9
7.4 Replace driver blade	9
7.5 Control the clinch	10
7.6 Adjust the clinch	10
8 Trouble shooting	11
9 Spare parts kit	42
10 Parts list with recommended wear parts	43
Exploded drawing	45

SE JOSEF KIHLBERG AB

Industrigatan 37B

SE-544 50 HJO

Telephone: +46 503 328 00
 Fax: +46 503 328 01
 E-mail: reception@kihlberg.se
 Internet: www.kihlberg.com

1

TECHNICAL DATA

Weight	1,9 kg (4,2 lbs)
Dimensions	Length 235 mm (9,3") Width 68 mm (2,7") Height 250 mm (9,8")
Magazine capacity	84 staples
Staple leg length	8 - 16 mm (5/16" - 5/8")
Nose length	14 mm (0,6 in.)
Throat depth	140 mm (5,5 in.)
Recommended working air pressure	5 - 6 bar (75-85 psi)
Max. air pressure	7 bar (100 psi)
Air consumption per driving operation at 6 bar operating pressure	0.4 litres
Noise characteristic levels according to: EN 12549	
A-weighted single-event emission sound pressure level at work station	89 dB
A-weighted sound energy level	96 dB
Vibration level:	Vibration below the limit of declaration according to EN 792- 13 measured according to ISO 8662-11.

FASTENERS

Staple JK779-08 (5/16")	Art.No 400368
Staple JK779-10 (3/8")	Art.No 400370
Staple JK779-12 (1/2")	Art.No 400372
Staple JK779-14 (9/16")	Art.No 400373
Staple JK779-16 (5/8")	Art.No 400375

DECLARATION OF CONFORMITY



We take sole responsibility for declaring that the bottom stapler JK20T779, to which this declaration refers, is in full compliance with the current requirements of the guidelines laid down by the council on 17th May 2006 (2006/42/EG) "Machine Guidelines".
 Complies with norms: ISO 12100:2010

SE-544 50 HJO, 11.06.2014

Production Manager:

Anders Pettersson

Anders Pettersson
 Agent for the publication of technical documentation:
 Josef Kihlberg AB, Industrigatan 37B SE-544 50 HJO

2

GENERAL INFORMATION



CAUTION!

Used where there is danger to life and health.

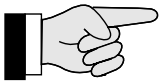
These operating instructions are intended to simplify familiarisation with the pliers and the possibilities of application for the intended purpose. The operating instructions contain important information concerning the safe, proper and efficient use of the pliers. Observation of the information will help to avoid danger, reduce repairs and stoppages and increase the reliability and service life of the pliers.



WARNING!

Used for danger which can cause material damage.

The operating instructions must always be available at the place of operation of the pliers. They must be read and observed by all persons concerned with work on the pliers. This work specifically includes operation, refilling of operating material, fault elimination and maintenance.



NOTE!

Used for general information and information which if not followed can cause faults in the operating sequence.

In addition to the operating instructions and the regulations for accident prevention effective in the country of use and place of application, the recognised technical regulations for safety and proper working must also be observed.

2.1 INFORMATION ON ENVIRONMENTAL PROTECTION

This stapler is manufactured without any physical or chemical substances which could be dangerous to health. For disposal of all the parts, the governmental instructions must be observed.

3

SAFETY INSTRUCTIONS



Inform yourself!
Read the operating instructions carefully.



Original JOSEF KIHHLBERG staples must be used exclusively!



Protect yourself!
When operating the stapler, wear eye, ear protection.



Original JOSEF KIHHLBERG spare parts must be used exclusively!
Not using original spare parts will dissolve the warranty and the liability.



Warning: Danger of crushing!
Do not put your fingers underneath the nozzle.

Use for the intended purpose

The stapler is intended for flat stapling and transport packaging of soft material to each other as card board, solid paper and fabric.



Warning: Hazard!
Lay the compressed air hose so that there is no risk of tripping over it.

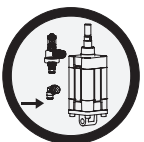
This stapler was designed and manufactured for safe handling during the stapling operation.



Do not exceed the air pressure!
Do not exceed the recommended air pressure.

Possible misuse

Do not fire any staples without any material between the anvil and the nozzle. Only use the stapler on material as recommended.



Use safety coupling!
For connecting the air hose to the stapler, use only a safety coupling.

Servicing

The following maintenance work must be carried out at regular intervals, varying with working conditions and workload:

- daily check of compressed air pressure (5–6 bar).
- clean the stapler regularly.
- check the condition of the stapler at regular intervals for defects or worn parts. Never use a stapler that has defective or worn parts (for servicing task refer also to chapter 7.1 and 7.2).



Do not use a bottled air or gas source!
Do not operate this stapler by using a bottled air or gas source.



Never leave a loaded tool unattended!
Always disconnect the tool from air supply when not in use.

4

DESCRIPTION

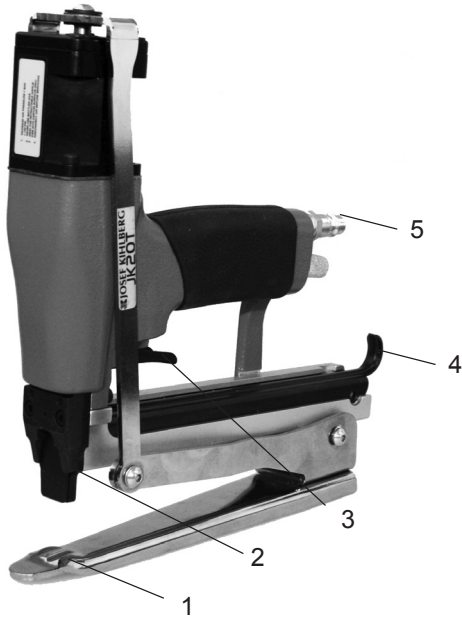


Fig. 1

4.1 DESIGN

- 1 Anvil
- 2 Door
- 3 Trigger
- 4 Magazine lid
- 5 Nipple

4.2 FUNCTION

The pliers JK20T has only single shot firing without safety yoke.

1. First place the tool around the work piece,
2. then pull the trigger (Fig.1/3).

To avoid damage to the driver blade in the tool, never fire it without any work piece.



Warning: before stapling ensure that your hand or any other part of your body is not underneath the nozzle.

5

INITIAL OPERATION

5.1 INSTALLATION

The stapler is delivered without nipple assembled. Assemble the nipple as following:

1. Take the stapler out of the box. Check that the nipple is the correct brand and fits your air system. Put sealing compound at the threadle. (Fig. 2/1).
2. Assemble the nipple. Tightening torque 7.5 Nm.

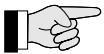


Lay the compressed air hose so there is no risk of tripping over it.



Fig. 2

5.2 AIR CONNECTION / LUBRICATION



Properly prepared compressed air is essential for trouble free operation of the stapler. This can only be ensured by a reliably functioning maintenance unit, consisting of water separator, pressure reducing valve with pressure gauge. The internal diameter of the pipe should be at least 10 mm ($\frac{3}{8}$ ”).



Never exceed the maximum permitted air pressure of 7 bar (110 psi). The maximum supply pressure is 8 bar (110 psi).

A low air pressure will give low maintenance costs!

The stapler and the hose must have a coupling which automatically bleeds all air pressure from the stapler when it is disconnected.

The stapler needs a small amount of lubricating oil in the nipple each day or approx. 10 drops once a week to ensure safe functioning and endurance. For high frequency stapling we recommend oil mist lubricator. Please contact our agent for advice.

733007 Lubrication oil 0.2 dl. (Fig.3/1)

Sliding parts are greased, with Dow Corning grease MS 4 Silicon Compound, at the factory. We recommend use this grease on moving parts if they have been cleaned or replaced.

184943 Tube of MS 4. (Fig. 3/2)



733007



184943

Fig. 3

6

OPERATING INSTRUCTIONS

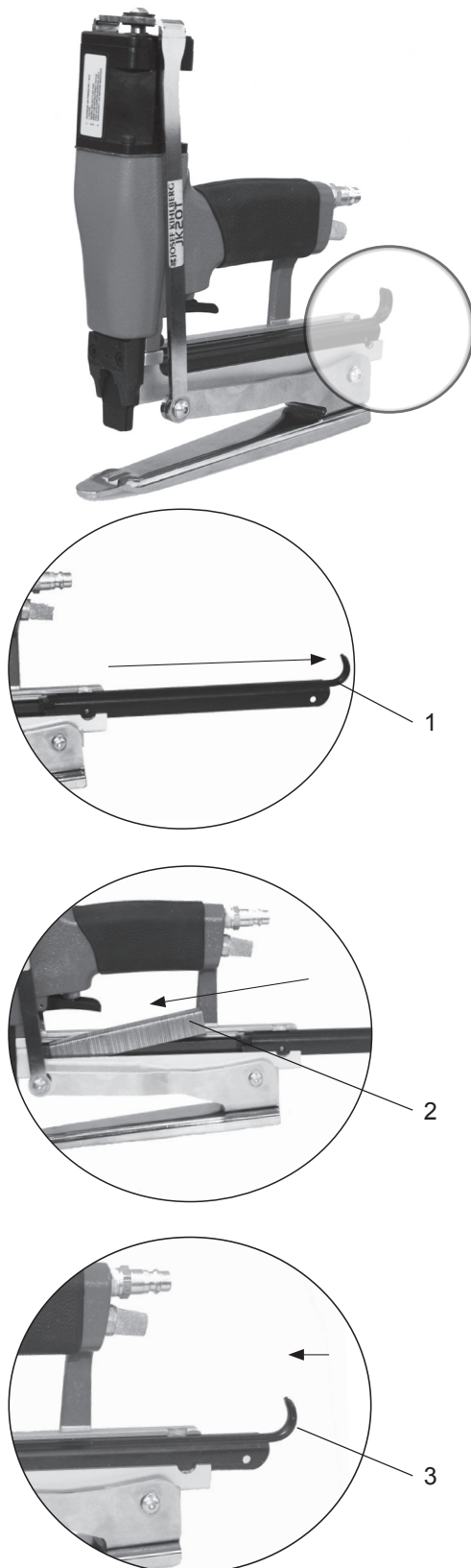


Fig. 4

6.1 LOADING THE MAGAZINE



Be sure that the tool is not pointing at yourself or anyone else when connecting it to the compressed air line.

- Connect the tool to the compressed air line before loading staples. The max. allowed air pressure is 7 bar.
- **Always use Josef Kihlberg original staples JK779 with leg length 08 (5/16") to 16 mm (5/8").**
The correct type of staple is marked on the right side of the magazine. Ensure you use the right length of staples for your application.

1. Pull the magazine lid all the way out (Fig. 4/1)
2. Place the staple strip (4/2) into the staple rail from the left hand side.
3. Place the staple strip into the magazine and push the lid (4/3) forward again until it clicks in.

6.2 OPERATING THE STAPLER

Adjust the air pressure to the lowest one that will drive the staples to the desired depth. Start at approx. 5.0 bar (72 psi) and raise this by 0.5 bar (7 psi) increments until the correct operating pressure for the job in hand is found. Never exceed 7 bar (100 psi).

A low air pressure will give low maintenance costs!



Always place yourself in a firmly balanced position when using or handling the tool. Do not drive staples at too steep an angle or too close to the edge of the work: the fastener might fly free and hurt someone.

- Place the tool firmly on the work surface. Never drive staples in extremely hard or brittle material. Do not drive staples at too steep an angle or too close to the edge of the work: the staples might fly free and hurt someone.



Warning: before stapling, ensure that your hand or any other part of your body is not underneath/between the nozzle and anvil.

- Pull the trigger as described in chapter 4,2
- Move the tool sideways until you have finished and then release the trigger.
- **Control the clinch, refer to chapter 7.5.**

7

PREVENTIVE AND CORRECTIVE MAINTENANCE



Before all maintenance tasks on the stapler always first disconnect it from the air supply.

7.1 CLEANING THE STAPLER

This stapler does not require special servicing. It only needs regular cleaning with a non-aggressive (non-corrosive) cleaner agent. Do not remove any parts for cleaning purposes!



Check the proper functioning of all safety devices daily. Make especially sure that:

- the trigger works smoothly, the door stays in place and the magazine lid does not open itself.
- all screws and nuts are securely tightened.
- the stapler is regularly lubricated (refer to chapter 5.2).

7.2 REMOVING JAMMED STAPLES

- To remove a staple which has become jammed:
- Pry the door open with a screw driver (Fig. 5/1) . There are three notches in the door to simplify the disassembling.
 - Remove the door.
 - Check the canal for defective staples.
 - Insert the door into the rear nozzle plate and push until it clicks shut.



The three notches at the door must be assembled to the front.

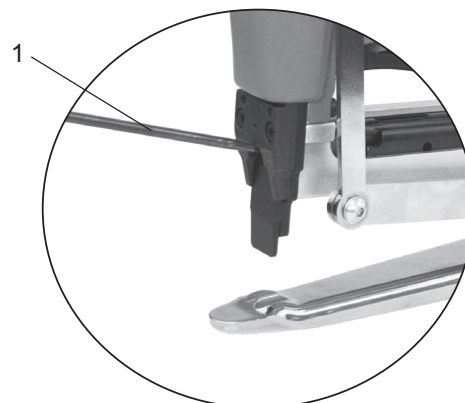


Fig. 5

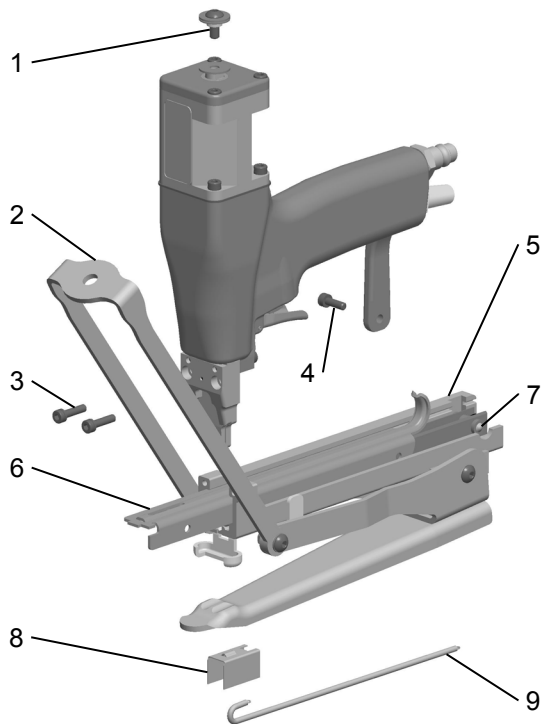


Fig. 6

7.3 REPLACE FEED SPRING

- Disconnect tool from air supply.
- Disassemble the screw (Fig. 6/1) holding the power arm (6/2) turn it underneath the magazine.
- Remove the rear screw (6/4) and the two front screws (6/3) and remove the magazine (6/5).
- Remove the magazine lid towards the front.
- Remove the pusher and its spring.
- Mount the pusher spring under the front roller.
- First mount the pusher; tension the pusher spring a little, carefully release the pusher and then attach the spring to the rear hook.
- Mount the lid from the front; push the lock plunger in as indicated. The lid has to pass.
- Put the three magazine screws in place and push the magazine down. Then first tighten the two front screws.
- Turn the power arm and assemble screw (6/1).

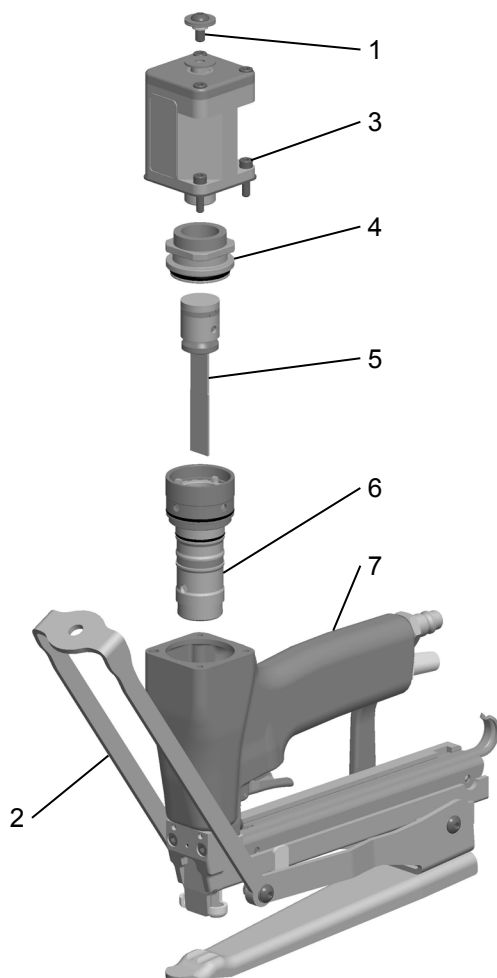


Fig. 7

7.4 CHANGE THE DRIVER BLADE

- Disconnect tool from air supply.
- Disassemble the screw (Fig. 7/1) holding the power arm (7/2) and turn it underneath the magazine.
- Remove the three screws holding the upper cylinder (7/3) and remove it.
- Remove the cylinder cap (7/4).
- Turn the tool upside down and knock it carefully against a piece of wood to release the driving parts (7/6).
- Remove the driving parts (7/6).
- Disassemble the piston cpl (7/5).
- Hold the piston and turn the driver blade a 1/4 turn, remove the pin and replace the driver blade.
- Assemble in opposite way. Do not forget to turn the driver blade a 1/4 turn.
- Grease (Part No 184943) at all O-rings and sliding surfaces. Assemble the piston to the driving part. Enter the driver into the nozzle and push it down. Check that the piston and the driver move freely in the cylinder and in the nozzle.
- Mount the cylinder cap (7/4).
- Mount the upper cylinder (7/3) and tighten the three screws.
- Turn the power (7/2) arm and assemble the screw (7/1).

7.5 CONTROL THE CLINCH

- 1 **Good clinch.**
- 2 Leg length of the staple too long.
- 3 Leg length of staple too short.



Always use Josef Kihlberg original staples: JK779-08 up to 16mm.

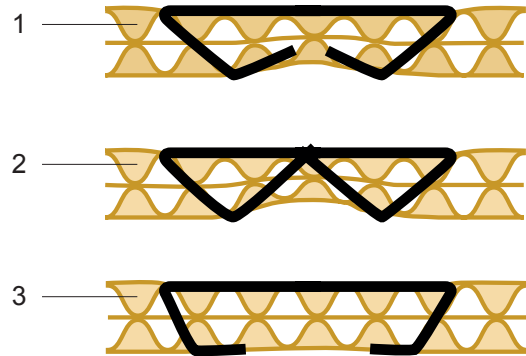


Fig. 8

7.6 ADJUST STAPLE CLINCH

Each plier is tested carefully before delivery. By rough treatment during operation the anvil therefore might need to be adjusted. Uncorrect clinching may then occur (Fig. 9/1).

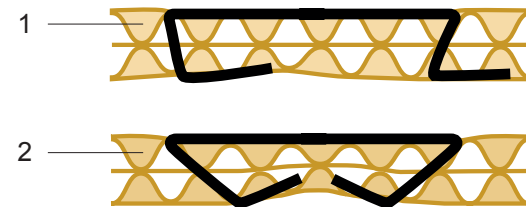


Fig. 9

- Insert a loose staple into the nozzle (Fig.10/1).
- Unscrew the three screws on the rear of the anvil a 1/4 turn. Raise the anvil to the staple edges and adjust it so that the staple hits the anvil hollows symmetrically.
- Then tighten the screws.
- Make a test-stapling in a piece of carton. If the anvil is correct adjusted the clinch should be like in (Fig. 9/2).

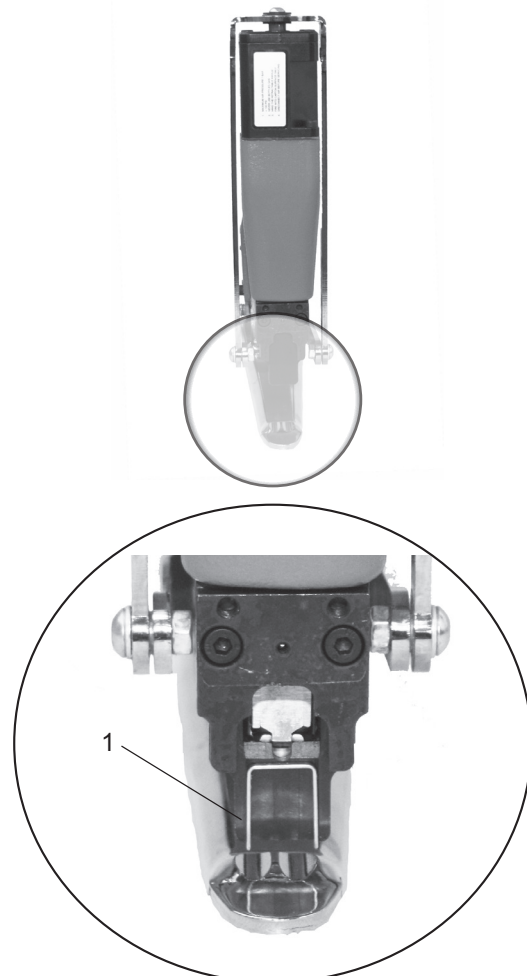


Fig. 10

8

TROUBLE SHOOTING



Before all trouble shooting tasks on the stapler it must first be disconnected from the air supply.

FAULT	ELIMINATION
<p>No staples when firing the tool.</p>	<ul style="list-style-type: none"> – Check that the right type of staples is being used and moves easily inside the rail. – Always use Josef Kihlberg original staples. – Check if the feeder spring is not defective. If necessary replace. – Check if the staple pusher is not defective. If necessary replace. – Clean the staple track. – Air pressure too low. Secure that working pressure is as recommend, see chapter 6.2
<p>Inadequate power. The staples do not penetrate the material sufficiently.</p>	<ul style="list-style-type: none"> – Adjust the air pressure as chapter 6.2 – Has the tool been used without oil? Provide lubrication, see chapter 5.2. – Fit a longer driver blade.
<p>Noise level is too high.</p>	<ul style="list-style-type: none"> – Check if the air pressure is correct. Adjust as per chapter 6.2. – Ensure that the work piece is firmly held in place. Vibration causes high sound levels.
<p>Jammed staple in the nozzle.</p>	<ul style="list-style-type: none"> – Open the door and remove the defective staple, see chapter 7.3.

SVENSKA

INNEHÅLL

	Page
1 Tekniska data	12
2 Allmänt	13
2.1 Miljöinformation	13
3 Säkerhetsföreskrifter	14
4 Beskrivning	15
4.1 Sammansättning	15
4.2 Funktion	15
5 Idrifttagande	16
5.1 Installation	16
5.2 Anslut tryckluft /smörjning	16
6 Användning	17
6.1 Ladda klammermagasin	17
6.2 Använda klammerverktyget	17
7 Förebyggande och avhjälpande underhåll	18
7.1 Rengöring av klammerverktyget	18
7.2 Avlägsna kilad klammer	18
7.3 Byta frammatarfjäder eller frammatare	19
7.4 Utbyte av drivare	19
7.5 Kontroll av klinch	19
7.6 Justering av klinch	19
8 Felsökning	20
9 Reservdelar som delar	42
10 Reservdelslista	43
Sprängskiss	45

SE JOSEF KIHLBERG AB

Industrigatan 37B

SE-544 50 HJO

Telephone: +46 503 328 00
 Fax: +46 503 328 01
 E-mail: reception@kihlberg.se
 Internet: www.kihlberg.com

1

TEKNISKA DATA

Vikt	1,9 kg (4,2 lbs)
Dimension	Längd 235 mm (9,3") Bredd 68 mm (2,7") Höjd 250 mm (9,8")
Magasinskapacitet	84 klammer
Klammerlängd	8 - 16 mm (5/16" - 5/8")
Noslängd	14 mm (0,6 in.)
Häftdjup	140 mm (5,5 in.)
Max. lufttryck	7 bar (100 psi)
Rekommenderat arbetstryck:	5-6 bar (70-85 psi)
Luftförbrukning per slag vid 6 bars (80 psi) arbetstryck:	0,4 liter
Karakteristisk bullernivå enligt: EN 12549	
Deklarerat A-vägd ljudtrycksnivå vid operatörsplatsen för enstaka förlopp:	89 dB
Deklarerad A-vägd ljudenerginivå	96 dB
Vibrationsnivå:	Vibrationsnivån är under deklarationsgräns enligt EN 292-2 upp mätt enligt ISO 8662-11.

FASTENERS

Staple JK779-08 (5/16")	Art.No 400368
Staple JK779-10 (3/8")	Art.No 400370
Staple JK779-12 (1/2")	Art.No 400372
Staple JK779-14 (9/16")	Art.No 400373
Staple JK779-16 (5/8")	Art.No 400375

FÖRSÄKRAN OM ÖVERENSSTÄMMELSE



Försäkrar härmed att bottenhäftaren JK20T779, är tillverkad enligt följande harmoniserande standarder:

SS-EN ISO 12100:2010 samt följer rådets direktiv: 2006/42/EG

SE-544 50 HJO, 11.06.2014

Produktionsansvarig:

Anders Pettersson

Behörig att ställa samman den tekniska dokumentation
+46 503 32800:

2

ALLMÄNT

**FÖRBUD!**

Symbolen används vid fara för liv och lem.

Denna manual är framtagen för att förenkla kännedomen om klammerverktyget och dess handhavande och applikationer. Manualen innehåller viktig information angående säkerhet, korrekt och effektiv användning. Genom att iakttaga denna information hjälper det till att förhindra olyckor och reducera reparationer och driftstörningar och förlänga livslängden på tången.

**VARNING!**

Symbolen används vid risk för materiella skador.

Manualen skall alltid hållas tillgänglig i arbetsområdet för tången. Den skall läsas och förstås av all personal som använder verktyget.

**OBSERVERA!**

Symbolen används för allmänna instruktioner samt för instruktioner som måste följas för att undvika störningar.

Som tillägg till manualen skall bestämmelser för förebyggande olycksfallsrisker följas för det land där produkten används. Det skall också iakttas tekniska förordningar angående säker och riktig användning.

2.1 MILJÖINFORMATION

Detta klammerverktyg är tillverkat utan några fysiska eller kemiska substanser vilka kan vara farliga för hälsan. För avfallshantering av samtliga delar skall regeringens lagar och förordningar följas.

3

SÄKERHETSFÖRESKRIFTER



Informera dig!

Läs igenom bruksanvisningen noga.



Använd alltid Josef Kihlberg original klammer.



Skyddsutrustning!

Bär skyddsutrustning för ögon och öron när du använder klammerverktyget.



Endast original-reservdelar från JOSEF KIHBERG får användas!

I annat fall upphävs garanti och övrigt ansvar från tillverkaren!



Varning: Akta fingrarna!

Stoppa inte fingrar eller andra kroppsdelar under nosen.



Varning: Snubbelrisk!

Lägg tryckluftsslangen så att det inte finns någon risk för att snubbla över den.

Användningsområde

Tången är avsedd för planhäftning av transportförpackningar i well, solid papp och tyger.

Häftaren är konstruerad och tillverkad för en säker hantering under häftförloppet.

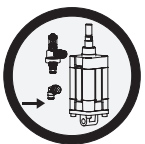


Överskrid inte lufttrycket!

Överskrid inte rekommenderat lufttryck.

Möjlig felanvändning

Klamra inte utan något av rekommenderat material mellan nos och städ. Använd endast häftaren för avsett material.



Använd säkerhetskoppling!

Anslut luftslangen till häftaren endast med säkerhetskoppling.

Underhåll

Följande underhåll måste genomföras regelbundet beroende på arbetsmiljö och volym:

- daglig kontroll av arbetstryck 5–6 bar (72-87 psi).
- regelbunden rengöring av klammerverktyget.
- kontrollera regelbundet konditionen på häftaren och se till att inga defekta eller utslitna delar förekommer. (för mer information angående service se 7.1 and 7.2).



Använd aldrig gas från högtryckstuber!

Använd aldrig gas från högtryckstuber.



Lämna aldrig ett laddat verktyg obevakat. Koppla alltid bort luftslangen när det inte används.

4

BESKRIVNING

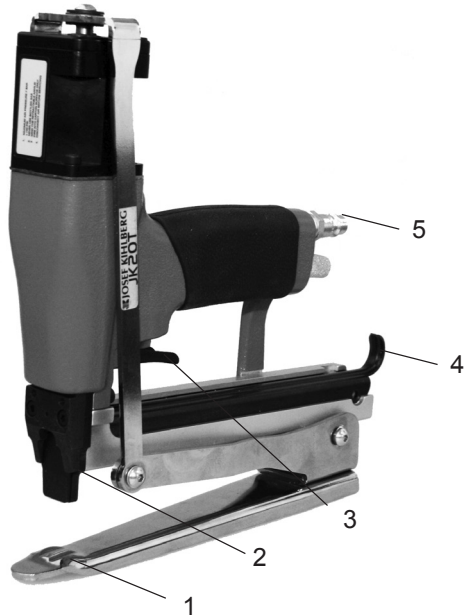


Fig. 1

4.1 SAMMANSÄTTNING

- 1 Häftung
- 2 Dörr
- 3 Avtryckare
- 4 Magasinslock
- 5 Nippel

4.2 FUNKTION

Häfttången JK20T har enkelskottsavfyrning utan säkerhetsbygel.

1. För in häftmaterialet mellan häftungan och nosen.
2. Tryck på avtryckare (Fig. 1/3). När du släpper avtryckaren returnerar tungan automatiskt.

Häfta aldrig utan något häftmaterial. Detta förstör drivaren på kort tid.



Varning! innan du häftar, säkerställ att ingen del av din kropp är under nosen.

5

IDRIFTTAGANDE

5.1 INSTALLATION

Klammerverktyget levereras med nippeln omonterad. Monteras enligt följande:

1. Tag ur verktyget ur kartongen och kontrollera att nippeln är av samma typ som används i luftinstallationen. Applicera gängtejp eller gängtätningssvets på nippeln. (Fig. 2/1).

Montera nippeln och använd ett åtdragningmoment av 7,5 Nm.



Placera tryckluftsslangen så att den ej utgör något hinder.



Fig. 2

5.2 ANSLUT TRYCKLUFT / SMÖRJNING



Häftaren behöver ren och torr tryckluft med tillsats av en liten mängd dimsmörjolja för en långsiktig problemfri drift. Detta kan enklast uppnås med en luftberedare som inkluderar vattenavskiljare och luftregulator med manometer och dimsmörjarenhet. Som alternativ till detta kan dimsmörjolja tillföras i nippeln, några droppar dagligen eller ca 10 droppar / vecka.

733007 Dimsmörjolja 0,2 dl. (Fig. 3/1)

Verktygets glidytor har vid tillverkningen belagts med fett Dow Corning MS4 silicon Compound. Vi rekommenderar den för rörliga delar vid rengöring eller utbyte.

184943 Tub av fett MS 4. (Fig. 3/2)



Använd lägsta möjliga lufttryck.

Börja med 5.0 bar (72 psi) och öka i steg om 0.5 bar (7 psi) tills klammerns rätta islagsdjup har uppnåtts.

Högsta tillåtna tryck är 7 bar (100 psi), och maximalt matartryck är 7 bar (100 psi).

Lågt arbetstryck innebär låga underhållskostnader.



733007



184943

Fig. 3

6

ANVÄNDNING

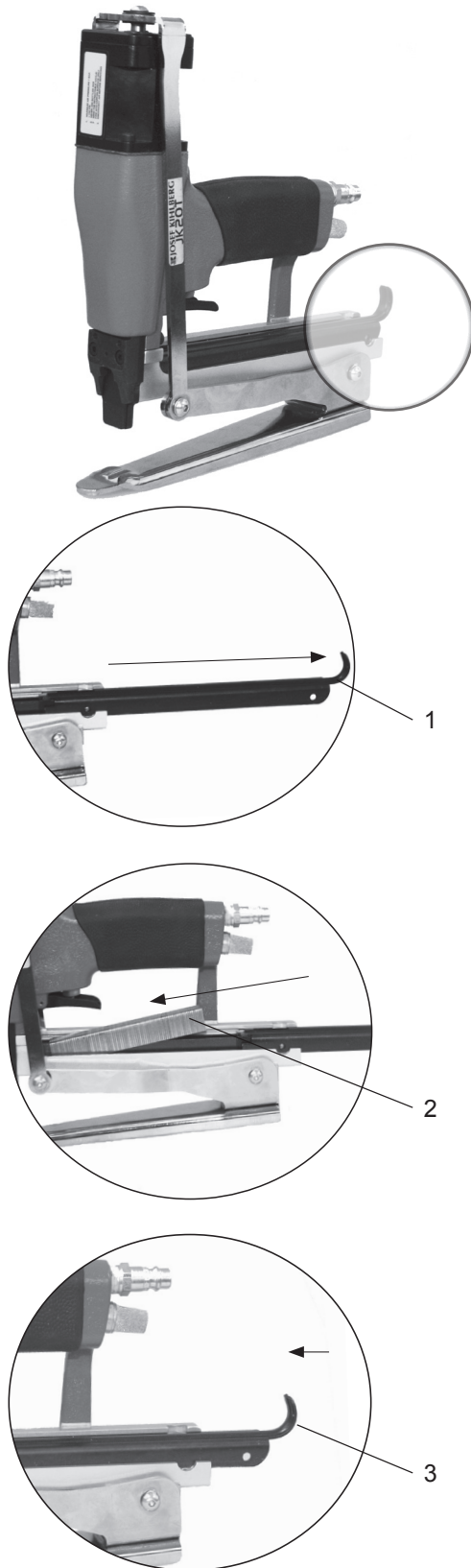


Fig. 4

6.1 LADDA VERKTYGET



Säkerställ att verktyget inte pekar mot dig själv eller någon annan när inkoppling sker till tryckluftssystemet.

- Koppla in verktyget till tryckluftssystemet före du laddar magasinet med klammer. Högsta tillåtna tryck är 7 bar (100 psi).
 - Använd alltid Josef Kihlberg originalklammer för en säker funktion. JK779 med klammerlängd 08 (5/16“) till 16 mm (5/8“).
 - Den korrekta typ av klammer är märkt på magasinets vänstra sida. Kontrollera att rätt längd på klammern används före du börjar klamma.
1. Drag ut magasinetslocket till sitt bakre läge. (Fig. 4/1)
 2. Lägg en klammerstav från vänster sida i klammerbanan. (4/2)
 3. För locket till sitt främre läge (4/3).

6.2 ANVÄNDNING AV HÄFTAREN

- Ställ in lägsta möjliga lufttryck som fortfarande driver klammern till önskat djup. Börja med ungefär 5.0 bar (72 psi) och höj sedan trycket i steg om 0,5 bar (7 psi) tills det rätta arbetstrycket etablerats. Överstig dock aldrig 7 bar (100 psi).
- Ett lågt lufttryck bidrar till att hålla underhållskostnaderna nere!



Vid användning av verktyget bör man stå välbalanserat och stadigt. Om klammern drivs in för nära kanten eller i brant vinkel finns risk för att klammer slungas ut i lokalen.

- Placera häftmaterialet mellan tunga och nos.
- Tryck avtryckaren. Se 4.2.
- Släpp avtryckaren och flytta verktyget och upprepa till rätt önskat antal häftningar har skett.



Varning! innan du häftar, säkerställ att ingen del av din kropp är under nosen.

7

FÖREBYGGANDE OCH AVHJÄLPANDE UNDERHÅLL



Säkerställ att verktyget ej är inkopplat till tryckluftsystemet och att det är trycklöst vid underhållsarbete.

7.1 RENGÖRING AV KLAMMERVERKTYGET

Denna häftare behöver inget speciellt underhåll. Den behöver regelbunden rengöring med ett neutralt rengöringsmedel (ej frätande). Demontera inte några delar vid rengöring.



Kontrollera dagligen verktygets funktion och säkerhetsutrustningar. Speciellt att:

- Avtryckaren inte kärvar, dörrens funktion eller att magasinlocket inte kärvar.

Kontrollera samtidigt att alla skruvar och muttrar är åtdragna.

7.2 AVLÄGSNA KLAMMER SOM FASTNAT

För att ta bort en kilad och defekt klammer gör följande:

- Bänd upp dörren med en skruvmejsel (Fig.5/1). Det finns tre urtag i dörren för att förenkla demonteringen. Ta bort dörren.
- Rensa nosen från defekta klammer.
- För in dörren i bakre drivarstyrning och tryck den uppåt tills den nått sitt övre läge.

O.B.S De tre urtagen för demontering skall monteras framåt.

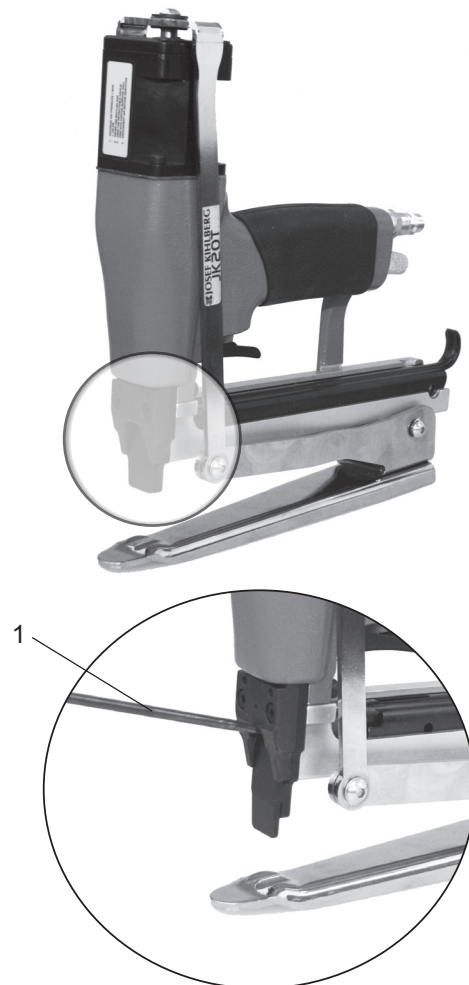


Fig. 5

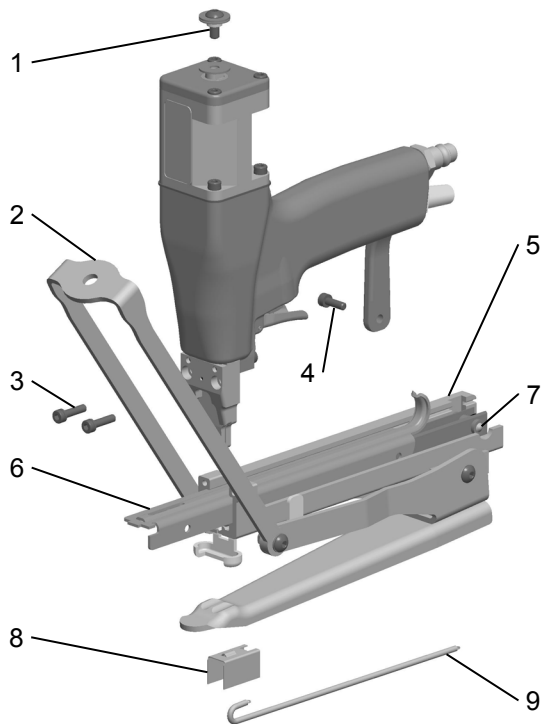


Fig. 6

7.1 BYTE FRAMMATARFJÄDER

- Demontera skruv (Fig. 6/1) som håller dragstången (6/2).
- Demontera skruv vid bakre infästning (6/4) till magasin och de två skruvarna (6/3) och ta bort magasinet från verktygskroppen.
- För magasinetslocket (6/6) framåt och ta bort detta.
- Demontera frammataren (6/8) och frammatarfjäders (6/9).
- Montera frammatarfjäders under den främre rullen.
- Montera först på frammataren; spänn frammatarfjäders något, släpp frammataren försiktigt. Där efter haka fast fjädern på den bakre fästkroken.
- Montera locket framifrån; tryck in spärren (6/7) enligt bilden när locket skall passera den.
- Entra magasinets (6/5) tre skruvar och tryck magasinet nedåt. Drag sedan de främre skruvarna först.
- Drag sedan fast den bakre skruven.
- Montera och drag åt skruv till dragstången.

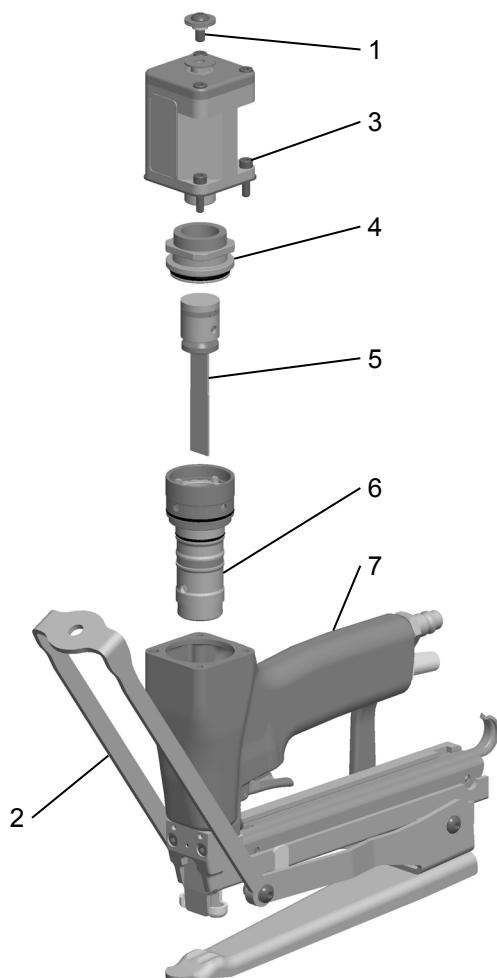


Fig. 7

7.2 BYTE AV DRIVARE

- Demontera skruv (Fig.7/1) som håller dragstången (7/2).
- Demontera de tre skruvarna (7/3) till övre cylindern.
- Lyft ur locket för cylinderfodret (7/4).
- Vänd verktyget och knacka det försiktigt mot en träbit för att lossa på de drivande delarna (7/6).
- Demontera de drivande delarna.
- Demontera kolven (7/5) genom att hålla fast kolven försiktigt och vrid drivare ett 1/4 varv. Knacka därefter ut drivarpinnen med ett dorn. Byt drivare och montera i omvänd ordning. Glöm inte att vrida drivaren 1/4 varv i förhållande till kolven.
- Smörj in alla rörliga delar med fett MS4 (Best. nr 184943).
- Montera drivande delar tillsammans.
- Entra drivaren i drivarstyrningen och tryck ned drivarpaketet. Kontrollera att kolven och drivaren löper lätt i cylindern och styrningen.
- Montera locket för cylinderfodret.
- Montera övre cylindern och drag åt de tre skruvarna.
- Montera och drag åt skruv till dragstången.

7.5 KONTROLL AV KLINCH

- 1 Bra bockning av klammern.
- 2 För lång benlängd av klammern.
- 3 För kort benlängd av klammern.



Använd alltid Josef Kihlberg original klammer: JK779-08 upp till 16 mm.

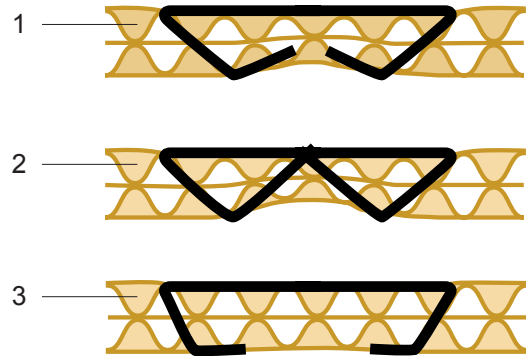


Fig. 8

7.6 JUSTERING AV KLINCH

Varje tång är testad noggrant före leverans. Genom påverkan kan städet komma ur läge och en defekt bockning uppstå. (Fig. 9/1). En enkel justering av städet bör då göras enligt följande.

- Öppna dörren och sätt in en klammer i nosen (Fig.10/1).
- Lossa häfttungans fästsruvar ett 1/4 varv. För upp tungan mot den lösa klammern och justera tungan i sidled så att klammern är centerad i städsålar. Drag sedan åt skruvarna.
- Provhäfta med material och bockningen bör vara enligt (Fig.9/2).

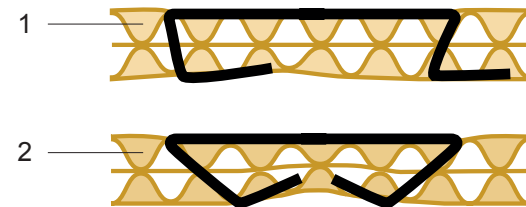


Fig. 9

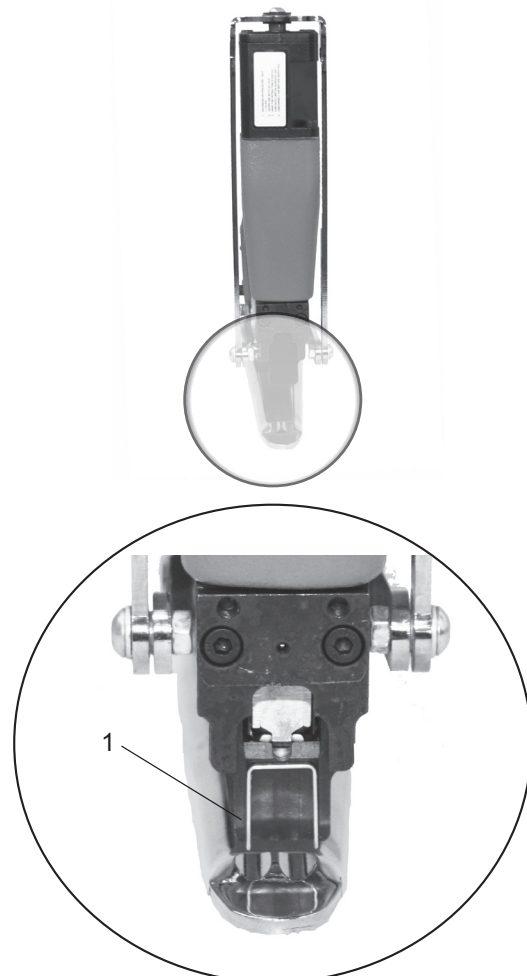


Fig. 10

8

FELSÖKNING



Säkerställ att verktyget ej är inkopplat till tryckluftssystemet och att det är trycklöst vid underhållsarbetet

FEL

MÖJLIG ORSAK / LÖSNING

Ingen klammer när du häftar.

- Kontrollera så att rätt sorts klammer används och att klammerstaven glider lätt på klammerbanan.
- **Andvänd endast Josef Kihlberg original klammer.**
- Kontrollera frammatarfjädern och frammataren så att den inte är defekt. Byt om den är skadad.
- Rengör klammerbanan från föroreningar.
- För lågt luftryck. Säkerställ att rätt arbetstryck används. Se kapitel 6.2

Dålig slagkraft. Klammern slås ej in tillräckligt.

- Justera arbetstrycket enligt kapitel 6.2
- Har verktyget använts utan dimsmörjolja?
- Säkerställ tillsatssmörjning enligt kapitel 5.2
- Montera ett längre drivarblad.

För hög ljudnivå.

- Kontrollera att arbetstrycket är rätt. Justera enligt kapitel 6,2
- Säkerställ att arbetsstycket är fastsatt. Vibrationer orsakar hög ljudnivå.

Klammern kilar fast i drivarstyrningen.

- Öppna dörren och ta bort den defekta klammern. Se kapitel 7.3.

DEUTSCH

INHALTSVERZEICHNIS

	Page
1 Technische Daten	22
2 Allgemeines	23
2.1 Hinweis zum Umweltschutz	23
3 Sicherheitsvorschriften	24
4 Beschreibung	25
4.1 Aufbau	25
4.2 Funktionsprinzip	25
5 Inbetriebnahme	26
5.1 Inbetriebnahme	26
5.2 Druckluftaufbereitung	26
6 Bedienung	27
6.1 Magazin mit Klammern laden	27
6.2 Bedienung der Heftzange	27
7 Wartung und Instandsetzung	28
7.1 Reinigung	28
7.2 Steckengebliebene Klammern entfernen	28
7.3 Magazinfeder ersetzen	29
7.4 Antriebsschiene ersetzen	29
7.5 Heftung kontrollieren	30
7.6 Heftung einstellen	30
8 Störungsbehebung	30
9 Ersatzteil-Set	42
10 Teileliste mit empfohlenen Ersatzteilen	43
Explosionszeichnung	46

SE JOSEF KIHMBERG AB

Industrigatan 37B

SE-544 50 HJO

Telephone: +46 503 328 00
 Fax: +46 503 328 01
 E-mail: reception@kihlberg.se
 Internet: www.kihlberg.com

1

TECHNISCHE DATEN

Gewicht	1,9 kg
Abmessungen	Length 235 mm Width 68 mm Height 250 mm
Magazinkapazität	84 staples
Klammern- Schenkellänge	8 - 16 mm
Vorderplattenüberstand	14 mm
Ausladung	140 mm
Empfohlener Arbeits-Luftdruck	5-6 bar
Max. Luftdruck	7 bar
Druckluftverbrauch bei 6 bar Arbeitsdruck	0,4 litres
Werte gemäss:	EN 12549
A-bewerteter Emissions- Schalldruckpegel am Arbeitsplatz	89 dB
A-bewerteter Schalldruckpegel Energieniveau	96 dB
Vibrationsstärke:	Der Vibrationswert liegt unter der in der Konformitätserklärung EN 792-13 angegebenen Grenze, gemessen nach ISO 8662-11

KLAMMERN

Klammer JK779-08 (5/16")	Art.No 400368
Klammer JK779-10 (3/8")	Art.No 400370
Klammer JK779-12 (1/2")	Art.No 400372
Klammer JK779-14 (9/16")	Art.No 400373
Klammer JK779-16 (5/8")	Art.No 400375

2

ALLGEMEINES



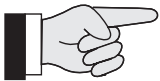
VORSICHT!

Wird verwendet bei Gefahren für Leben und Gesundheit.



ACHTUNG!

Wird verwendet bei Gefahren, die Sachschäden verursachen können.



HINWEIS!

Wird verwendet für allgemeine Hinweise und für Hinweise, bei deren Nichtbeachtung Störungen im Betriebsablauf entstehen können.

Diese Betriebsanleitung soll das Kennenlernen des Gerätes und den bestimmungsgemässen Einsatz erleichtern. Die Betriebsanleitung enthält wichtige Hinweise, wie das Gerät sicher, sachgerecht und wirtschaftlich einzusetzen ist. Das Einhalten der Hinweise hilft Gefahren vermeiden, Reparaturen und Ausfallzeiten vermindern sowie die Zuverlässigkeit und Lebensdauer des Gerätes zu erhöhen.

Die Betriebsanleitung muss am Einsatzort des Gerätes verfügbar sein. Sie ist von allen Personen zu lesen und anzuwenden, die mit dem Gerät arbeiten. Zu diesen Arbeiten zählen insbesondere die Bedienung, die Störungsbehebung und die Wartung.

Neben der Betriebsanleitung und den im Verwenderland und an der Einsatzstelle geltenden Regelungen zur Unfallverhütung sind auch die anerkannten fachtechnischen Regeln für sicherheits- und fachgerechtes Arbeiten zu beachten.

2.1 HINWEIS ZUM UMWELTSCHUTZ

Für die Herstellung dieses Gerätes werden keine gesundheitschädigenden physikalischen oder chemischen Stoffe verwendet. Für die Entsorgung sind die gültigen gesetzlichen Vorschriften zu berücksichtigen.

KONFORMITÄTSERKLÄRUNG



Wir erklären in alleiniger Verantwortung, dass die Maschine JK20T779, auf die sich diese Erklärung bezieht, mit den geltenden Bestimmungen der Richtlinie des Rates vom 17. Mai 2006 (2006/42/EG) „Maschinen-Richtlinie“ übereinstimmt.

Berücksichtigte Normen: ISO 12100:2010

SE-544 50 HJO, 11.06.2014

Production Manager:

Anders Pettersson

Anders Pettersson

Bevollmächtigte zur Herausgabe von technischen Unterlagen:
Josef Kihlberg AB, Industrigatan 37B, SE-544 50 HJO

3

SICHERHEITSVORSCHRIFTEN



Informieren Sie sich!
Vor dem Gebrauch des Gerätes die Betriebsanleitung sorgfältig lesen.



Verwenden Sie nur Original-JOSEF KIHMBERG Klammern.



Schützen Sie sich!
Beim Arbeiten, Gehörschutz und Schutzbrille tragen.



Verwenden Sie nur Original-JOSEF KIHMBERG-Ersatzteile!
Die Verwendung von anderen als JOSEF KIHMBERG-Ersatzteilen schliesst Garantieleistungen und Haftpflicht aus.



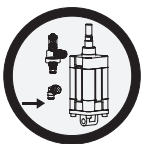
Vorsicht: Quetschgefahr!
Finger nicht unter das Gerät halten.



Achtung: Stolperstelle!
Druckluftschlauch so verlegen, dass sich keine Stolperstelle bildet.



Luftdruck nicht überschreiten!
Den vorgeschriebenen Luftdruck nicht überschreiten.



Original Anschlusskupplungen verwenden!
Es dürfen nur Anschlusskupplungen verwendet werden, die den Sicherheitsvorschriften entsprechen.



Keine Gas- oder Druckluftflaschen verwenden!
Das Gerät darf nicht an eine Gas- oder Druckluftflasche angeschlossen werden.



Niemals eine geladenes Gerät unbeaufsichtigt lassen!
Trennen Sie das Gerät von der Luftzufuhr, wenn es nicht in Gebrauch ist.

Bestimmungsgemässe Verwendung

Diese Heftzange ist zum Flachheften und für die Transportgutverpackung von weichem Material miteinander sowie von Stoff, Papier usw. bestimmt.

Diese Heftzange wurde zum sicheren Umgang während des Heftvorganges entwickelt.

Möglicher Missbrauch

Schiessen Sie niemals Klammern wenn sich kein Packgut zwischen Heftzunge und Klammerkopf befindet. Heftzange nur für die empfohlenen Materialien einsetzen.

Wartungsarbeiten

Je nach Arbeitsverhältnissen und Beanspruchung sind periodisch folgende Wartungsarbeiten durchzuführen:

- Tägliche Kontrolle des Luftdruckes (5–6 bar)
- Regelmässige Kontrolle der Wartungseinheit (Ölstand, Wasserabscheider, Filter)
- Heftzange regelmässig reinigen.
- Regelmässig den Zustand des Gerätes auf defekte oder abgenutzte Teile prüfen.

Arbeiten Sie nie mit einem Gerät, welches defekte oder abgenutzte Teile aufweist (siehe Kapitel 7.1 bis 7.4).

4

BESCHREIBUNG

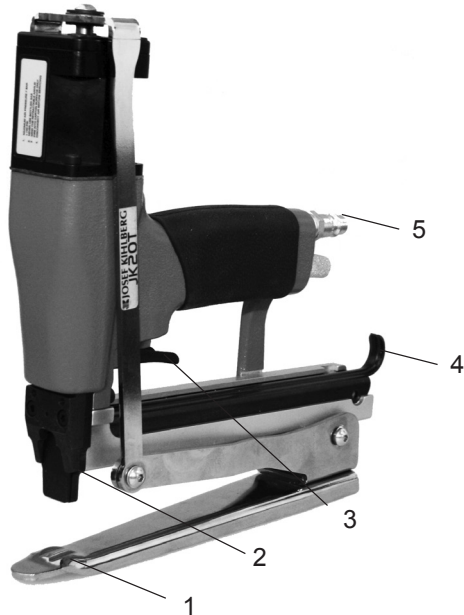


Fig. 1

4.1 AUFBAU

- 1 Heftzunge
- 2 Abdeckung
- 3 Abzug
- 4 Magazindeckel
- 5 Druckluftanschluss

4.2 FUNKTIONSPRINZIP

Die Heftzange JK20T hat nur Einzelfeuerung ohne Sicherheitsbügel.

1. Packgut zwischen Heftzunge und Klammerkopf legen,
2. und den Abzug (Fig. 1/3) ziehen.

Um Schäden am Gerät zu vermeiden, niemals Abzug betätigen ohne das ein Packgut zwischen Heftzunge und Klammerkopf liegt.



Warnung:
Vor dem Auslösen, sicherstellen dass sich keine Hand oder andere Körperteile unter/im Gerät befinden.

5

INBETRIEBNAHME

5.1 INBETRIEBNAHME

Die Heftzange wird ohne montierten Druckluftanschluss ausgeliefert. Druckluftanschluss folgendermassen montieren:

1. Heftzange aus Verpackung entfernen. Druckluftanschluss überprüfen, ob er mit dem Druckluftsystem übereinstimmt. Gewinde des Anschlusses (Fig. 2/1) mit Dichtmasse sichern.
2. Druckluftanschluss montieren. Anzugs-Drehmoment 7,5 Nm.




Druckluftschlauch so verlegen, dass sich keine Stolperstelle bilden kann.



Fig. 2

5.2 DRUCKLUFTAUFBEREITUNG

 Einwandfrei aufbereitete Druckluft ist Voraussetzung für einen störungsfreien Betrieb der Heftzange. Dies kann nur durch eine funktionssichere Wartungseinheit erfüllt werden, welche aus Wasserabscheider, Druckreduzierventil mit Manometer und Ölnebelgerät besteht.



Die lichte Weite der Leitung soll minimum 10 mm betragen. Es muss darauf geachtet werden, dass der Schlauch keine Schlaufen bildet, in welchen sich Öl sammeln kann.

Den maximal zulässigen Luftdruck von 7,0 bar niemals überschreiten. Niedriger Luftdruck führt zu niedrigen Wartungskosten!

Die Heftzange muss eine Kupplung aufweisen, die automatisch entlüftet wenn das Gerät vom Luftanschluss getrennt wird.

Die Heftzange benötigt einige Tropfen Schmieröl täglich oder einmal wöchentlich 10 Tropfen. Bei häufigem Einsatz wird das Verwenden eines Ölnebelgerätes empfohlen. Weden Sie sich bitte an Ihren Ansprechpartner.

733007 Schmieröl 0,2 dl. (Fig. 3/1)

Werkseitig sind die Gleitstellen mit dem Fett "Dow Corning grease MS 4 Silicon Compound" versehen. Wir empfehlen die Verwendung diese Fettes ebenfalls für Teile die neu zu ersetzen sind.



733007



184943

Fig. 3

6

BEDIENUNG

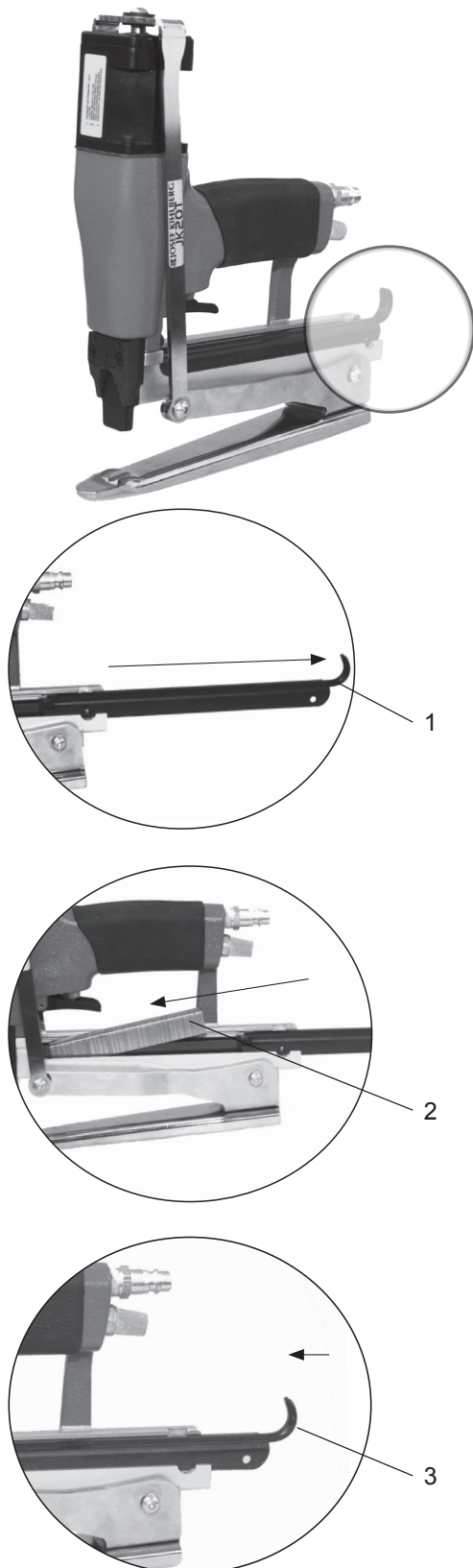


Fig. 4

6.1 MAGAZIN MIT KLAMMERN LADEN



Vor dem Anschliessen der Heftzange, sicherstellen dass das Gerät nicht auf Sie oder jemand anders gerichtet ist.

- Vor dem Laden der Klammern, Gerät an Druckluftversorgung anschliessen. Den maximal zulässigen Luftdruck von 7,0 bar niemals überschreiten.
- **Immer Josef Kihlberg Originalklammern JK779 mit Schenkellängen von 8 –16 mm verwenden.** Der für das Gerät richtige Klammertyp ist auf der rechten Seite des Magazines angegeben. Sicherstellen, dass Sie die richtige Klammer-Schenkel-länge für Ihre Anwendung verwenden.

1. Den Magazindeckel ganz herausziehen (Fig. 4/1)
2. Klammerstreifen (4/2) von links in den Klammertträger einführen.
3. Den Magazindeckel (4/3) wieder ganz nach vorne drücken bis er einrastet.

6.2 BEDIENUNG DER HEFTZANGE

Stellen Sie keinen höheren Luftdruck ein als für das richtige Eintreiben der Klammern notwendig ist. Mit 5,0 bar beginnen, danach den Luftdruck um jeweils 0,5 bar erhöhen, bis der richtige Arbeitsdruck gefunden ist. Den maximal zulässigen Luftdruck von 7,0 bar niemals überschreiten. Niedriger Luftdruck führt zu niedrigen Wartungskosten!



Stellen Sie sich vor dem Gebrauch des Gerätes immer in eine stabile aufgerichtete Position. Darauf achten, dass das Gerät niemals zu dicht an einer Kante oder schräg aufgesetzt wird. Dadurch wird ein Abprallen von Klammern vermieden.

- Das Gerät immer fest auf das Packstück aufsetzen. Niemals Klammern in sehr harte oder spröde Materialien Eintreiben. Gerät nicht in einem zu steilen Winkel oder zu nahe am Rand des Packgutes einsetzen. Klammern könnten wegfliegen und jemand verletzen.



Warnung:
Vor dem Auslösen, sicherstellen dass sich keine Hand oder andere Körperteile unter/im Gerät befinden.

- Abzug betätigen, wie in Kapitel 4.2 beschrieben. Bewegen Sie die Heftzange seitlich, bis die notwendigen Klammern angebracht sind.
- **Heftung kontrollieren, siehe Kapitel 7.5.**

7

WARTUNG UND INSTANDSETZUNG



Für alle Wartungs- und Instandsetzungsarbeiten, Heftzange von der Druckluftzufuhr trennen.

7.1 REINIGUNG

Diese Heftzange erfordert keine besondere Wartung. Regelmässig mit einem nicht-aggressiven (nicht korrosiven) Reinigungsmittel das Gerät reinigen. Für die Reinigung sind keine Teile zu entfernen!



Prüfen Sie täglich das ordnungsgemässe Funktionieren aller Sicherheitseinrichtungen. Besonders zu überprüfen sind:

- das der Abzug sich reibungslos bewegt und die Vorderplatte sowie der Magazineckel sich nicht von selbst öffnen.
- dass alle Schrauben und Muttern korrekt angezogen sind.
- dass das Gerät wie in Kapitel 5.2 beschrieben, regelmässig geschmiert wird.

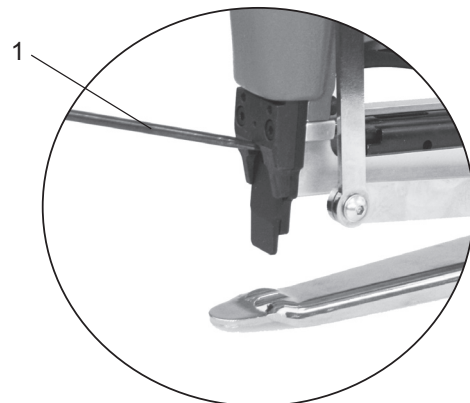
7.2 STECKENGEBLIEBENE KLAMMERN ENTFERNEN

Steckengebliebene Klammern folgendermassen entfernen:

- Die Vorderplatte mit einem Schraubenzieher (Fig. 5/1) öffnen. Die Vorderplatte hat drei Nuten, dies vereinfacht die Demontage.
- Remove the door.
- Magazin auf steckengebliebene Klammern prüfen.
- Vorderplatte wieder positionieren und andrücken bis sie einrastet.



Darauf achten, dass die drei Nuten der Vorderplatte nach vorne positioniert sind.



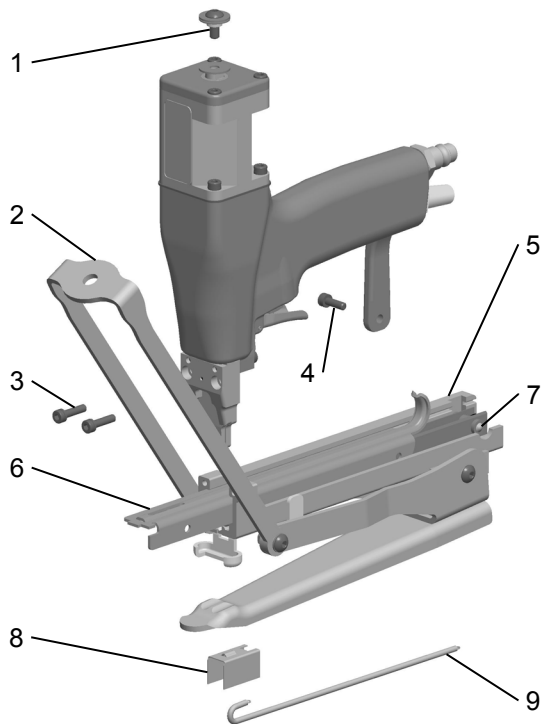


Fig. 6

7.3 MAGAZINFEDER ERSETZEN

- Gerät vom Luftanschluss trennen.
- Schraube (Fig. 6/1) lösen und Zugstange (6/2) unter das Magazin drehen.
- Hintere Zylinderschraube (6/4) und die zwei Zylinderschrauben (6/1) lösen und Magazin (6/5) entfernen.
- Den Magazineckel ganz herausziehen.
- Schieber und dazugehörige Feder entfernen.
- Schieber wieder montieren. Dazu muss die Feder (6/9) ein wenig gespannt werden, Feder an hinterem Haken einhängen.
- Magazineckel (6/6) von vorne montieren. Den Verriegelungskolben (6/7) positionieren, so dass der Magazineckel passt.
- Die drei Schrauben (6/4) und (6/3) einsetzen und Magazin nach unten drücken. Die Schrauben (6/3) zuerst festziehen.
- Zugstange (6/2) mit Schraube (6/1) wieder festschrauben.

7.4 ANTRIEBSSCHIENE ERSETZEN

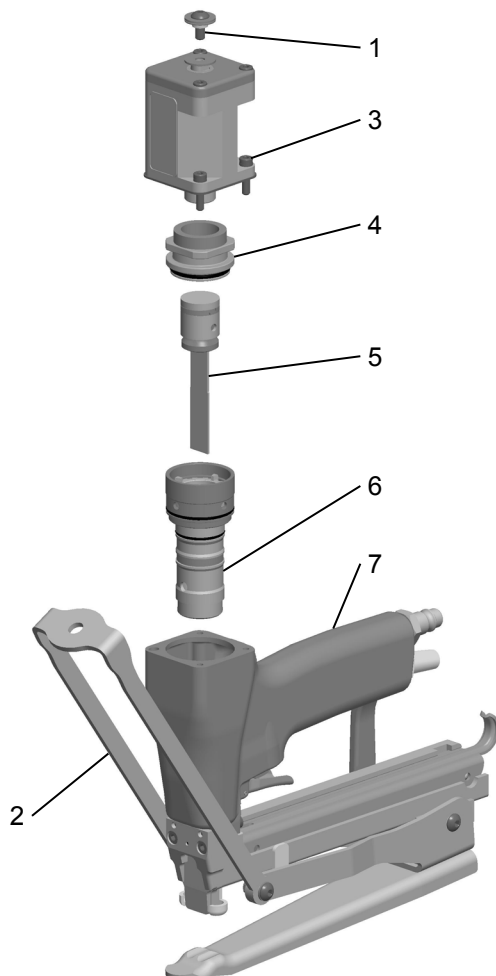


Fig. 7

- Gerät vom Luftanschluss trennen.
- Schraube (Fig. 7/1) lösen und Zugstange (7/2) unter das Magazin drehen.
- Drei Zylinderschrauben (7/3) lösen und oberen Zylinder (7/3) entfernen.
- Zylinderdeckel (7/4) entfernen.
- Gerät auf den Kopf drehen und mit einem Stück Holz vorsichtig die Teile (7/6) herausschlagen.
- Zylinder (7/6) entfernen. Zylinder und Kolben (7/5) demontieren. Kolben festhalten und Antriebsschiene 1/4 Umdrehung drehen. Stift entfernen und Antriebsschiene ersetzen.

Die Teile in umgekehrter Reihenfolge montieren.

- Es ist zu beachten, dass die Antriebsschiene wieder 1/4 Umdrehungen gedreht wird.
- Alle Teile und O-Ringe einfetten (Grease, Artikel-Nr. 184943).
- Zylinder und Kolben (7/5) wieder montieren. Prüfen ob sich die Teile im Zylinder gut bewegen lassen.
- Zylinderdeckel (7/4) montieren.
- Oberen Zylinder (7/3) mit den drei Zylinderschrauben (7/3) montieren
- Zugstange (7/2) mit Schraube (7/1) wieder festschrauben.

7.5 HEFTUNG KONTROLLIEREN

- 1 **Gute Heftung**
- 2 Klammerschenkel zu lang.
- 3 Klammerschenkel zu kurz.



Immer Josef Kihlberg Originalklammern verwenden (JK779-08 bis 16 mm).

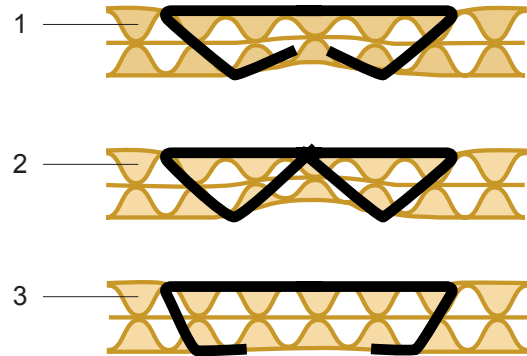


Fig. 8

7.6 HEFTUNG EINSTELLEN

Jede Heftzange wird vor der Auslieferung sorgfältig geprüft. Durch grobe Behandlung während des Betriebs kann es sein, dass der Amboss neu angepasst werden muss. Eine unkorrekte Heftung (Fig. 9/1) kann dadurch auftreten.

- Legen Sie eine lose Klammer in die Düse (Fig.10/1).
- Drei Schrauben auf der Unterseite des Ambosses eine 1/4 Umdrehung lösen. Heben Sie den Amboss zu den Klammer-Enden und richten sie den Amboss so aus, dass die Klammer die Ambossmulde symmetrisch trifft.
- Die drei Schrauben wieder festziehen.
- Eine Test-Heftung in einem Stück Karton anbringen. Wenn der Amboss richtig eingestellt ist, muss die Heftung aussehen wie in Fig. 9/2.

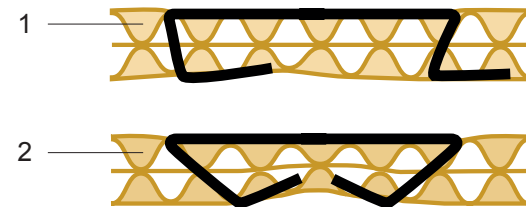


Fig. 9

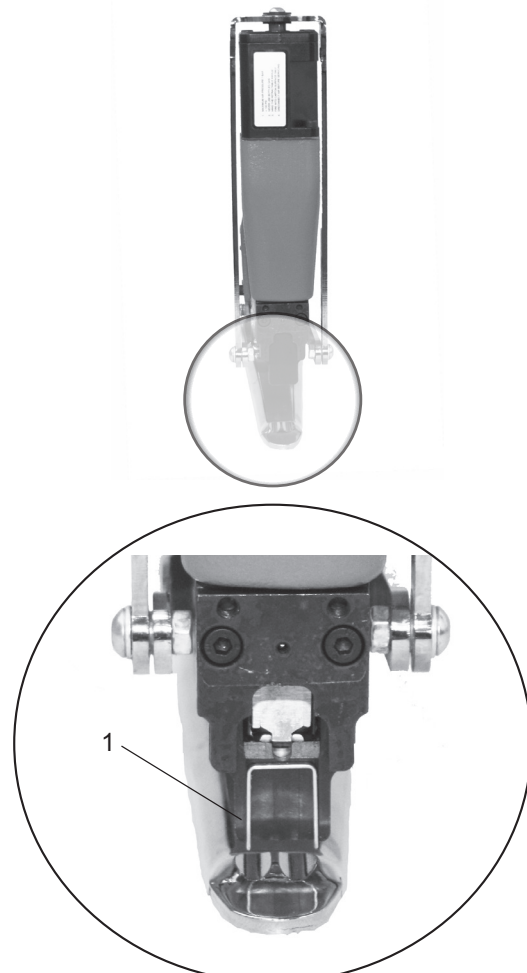


Fig. 10

8

STÖRUNGSBEHEBUNG



Für Störungsbehebung zuerst die Heftzange von der Druckluftzufuhr trennen.

STÖRUNG	BEHEBUNG
<p>Beim Betätigen des Abzuges werden keine Klammern ausgestossen</p>	<ul style="list-style-type: none"> – Kontrollieren ob Original-Klammern verwendet werden. – Immer Josef Kihlberg Originalklammern verwenden. – Kontrollieren ob die Magazinfeder in Ordnung ist. Nötigenfalls ersetzen. – Kontrollieren ob der Schieberkolben in Ordnung ist. Nötigenfalls ersetzen. – Schmutz in der Klammerbahn beseitigen. – Luftdruck zu tief. Luftdruck einstellen (siehe Kapitel 6.2).
<p>Ungenügende Eintreibkraft. Die Klammern dringen nicht genügend tief ein</p>	<ul style="list-style-type: none"> – Luftdruck einstellen (siehe Kapitel 6.2). – Wurde das Gerät regelmässig geschmiert? Siehe auch Kapitel 5.2. – Längere Antriebsschiene einbauen.
<p>Geräuschpegel ist zu hoch</p>	<ul style="list-style-type: none"> – Luftdruck einstellen (siehe Kapitel 6.2). – Überprüfen ob das Packgut fest gehalten wird. Vibration kann hohen Geräuschpegel verursachen.
<p>Steckengebliebene Klammer entfernen</p>	<ul style="list-style-type: none"> – Siehe Kapitel 7.3.

FRANCAIS**TABLE DES MATIÈRES**

	Page
1 Données techniques	32
2 Instructions générales	33
2.1 Remarque relative à la protection de l'environnement	33
3 Instructions de sécurité	34
4 Description	35
4.1 Modules principaux	35
4.2 Fonctionnement	35
5 Mise en service	36
5.1 Mise en service	36
5.2 Raccordement pneumatique	36
6 Mode d'emploi	37
6.1 Chargement du magasin avec agrafes	37
6.2 Mode d'emploi pour l'appareil	37
7 Instruction de service	38
7.1 Enlèvement d'une agrafe bloquée	38
7.2 Remplacer le chargeur d'agrafes	38
7.3 Remplacer le rail d'entraînement	38
7.4 Remplacer le rail d'entraînement	39
7.5 Contrôler l'agrafage	40
7.6 Réglage de l'agrafage	40
8 Dépannage	41
9 Jeu de pièces détachées	42
10 Pièces de rechange recommandées	43
Vue éclatée	45

SE JOSEF KIHMBERG AB

Industrigatan 37B

SE-544 50 HJO

Telephone: +46 503 328 00
 Fax: +46 503 328 01
 E-mail: reception@kihlberg.se
 Internet: www.kihlberg.com

1**DONNÉES TECHNIQUES**

Poids	1,9 kg
Encombrement	Longueur 235 mm Largeur 68 mm Hauteur 250 mm
Capacité du chargeur	84 agrafes
Largeur de branche des agrafes	8 - 16 mm
Protrusion	14 mm
Écartement	140 mm
Pression d'utilisation recommandée de l'air comprimé	5 - 6 bar
Pression d'air (max)	7 bar (100 psi)
Consommation d'air comprimé à 6 bar	0,4 litres
Valeurs selon: EN 12549	
Niveaux de pression acoustique, évaluation type A à la place de travail	89 dB
Niveau énergétique, évaluation de type A	96 dB
Intensité de vibration:	La valeur de vibration est située au-dessous de la limite donnée dans la déclaration de conformité EN 792-13, mesurée selon ISO 8662-11

AGRAFES

Agrafe JK779-08 (5/16")	Art.No 400368
Agrafe JK779-10 (3/8")	Art.No 400370
Agrafe JK779-12 (1/2")	Art.No 400372
Agrafe JK779-14 (9/16")	Art.No 400373
Staple JK779-16 (5/8")	Art.No 400375

2

INSTRUCTIONS GÉNÉRALES

**PRUDENCE!**

Utilisé si risque de mort ou d'atteinte à la santé.

**ATTENTION!**

Utilisé si risque de casse matérielle.

**REMARQUE!**

Utilisé pour les remarques générales et pour les remarques qui, si on ne les respecte pas, entraînent des perturbations de fonctionnement.

Ces instructions de service doivent faciliter la connaissance de l'appareil et les possibilités d'utilisation selon les règles. Les instructions de service contiennent d'importants renseignements, à savoir comment l'appareil doit fonctionner en toute sécurité, selon les critères professionnels et d'une manière économique. Les respecter aide à éviter les dangers, à diminuer les réparations et les temps d'arrêt et à augmenter la fiabilité de l'appareil et sa durée de vie.

Les instructions de service doivent constamment être à disposition sur le lieu d'utilisation de l'appareil. Elles doivent être lues et appliquées par toutes les personnes qui sont chargées de travaux sur l'appareil. Ces travaux comprennent en particulier le service, l'alimentation des consommables, l'élimination des pannes et l'entretien.

En plus des instructions de service et des règlements pour la protection contre les accidents valables dans le pays et à l'endroit d'utilisation, il faut également appliquer les règles de sécurité techniques pour un travail professionnel et en sécurité.

2.1 REMARQUE RELATIVE À LA PROTECTION DE L'ENVIRONNEMENT

Cet appareil est fabriqué sans aucun matériau nuisible pour la santé. L'élimination de cet appareil doit être effectuée en respectant les lois nationales.

DÉCLARATION DE CONFORMITÉ



Nous déclarons sous notre propre responsabilité que l'appareil JK20T779 A ci-dessus, au sujet duquel se réfère cette déclaration, est conforme avec les prescriptions en vigueur de la directive du conseil du 17 mai 2006 (2006/42/CE) "Directive pour machines".

Normes considérées: ISO 12100:2010

SE-544 50 HJO, 11.06.2014

Production Manager:

Anders Pettersson

Anders Pettersson

Le responsable pour la publication de la documentation technique: Josef Kihlberg AB, Industrigatan 37B, SE-544 50 HJO

3

INSTRUCTIONS DE SÉCURITÉ



Renseignez-vous!
Avant l'utilisation de l'appareil, consultez soigneusement le mode d'emploi.



Protégez-vous!
Au cours du travail, porter des protections acoustiques et de lunettes de protection.



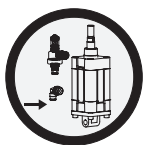
Prudence: danger d'écrasement!
Ne pas laisser les doigts sous l'appareil.



Attention: danger de trébucher!
Déplacer le tuyau d'air comprimé de manière à ce qu'il ne présente aucun danger de trébucher.



La pression d'air comprimé ne doit pas être supérieure!
La pression d'air comprimé recommandée ne doit pas dépasser.



Employez toujours un raccord d'air!
Employez toujours un accouplement de sûreté comme raccord d'air.



Bouteilles gaz ou d'air comprimé interdites!
Interdiction de branchement de l'appareil à une bouteille de gaz ou d'air comprimé.



Ne jamais laisser un appareil chargé sans surveillance!
Séparez l'appareil de l'amenée d'air comprimé lorsque ce dernier n'est pas utilisé.



N'utilisez que des agrafes d'origine Josef Kihlberg!



N'utilisez que des pièces de rechange d'origine Josef Kihlberg!
En cas contraire Josef Kihlberg peut refuser les prestations de garantie.

Utilisation conforme

Cette agrafeuse est conçue pour agraffer à plat et pour l'emballage de transport de matériaux mous ensemble ainsi que des étoffes, papier etc.

Cette agrafeuse a été développée pour un maniement sûr au cours du processus d'agrafage.

Utilisation abusive

N'éjectez jamais des agrafes lorsqu'il n'y a pas de colis entre la languette et la tête d'agrafage. Utiliser l'agrafeuse uniquement pour les matériaux recommandés.

Travaux de maintenance

Suivant les conditions de travail et les contraintes, les travaux de maintenance périodiques suivants sont à effectuer:

- contrôle quotidien de la pression d'air comprimé (5–6 bar)
 - contrôle régulier de l'unité de maintenance (niveau d'huile, collecteur d'eau, filtres)
 - nettoyer l'appareil régulièrement
 - vérifier régulièrement l'état de l'appareil à propos d'éventuelles défauts ou de pièces usées.
- Ne travaillez jamais avec un appareil présentant des pièces défectueuses ou usées (chapitre 7.1 à 7.4).

4

DESCRIPTION

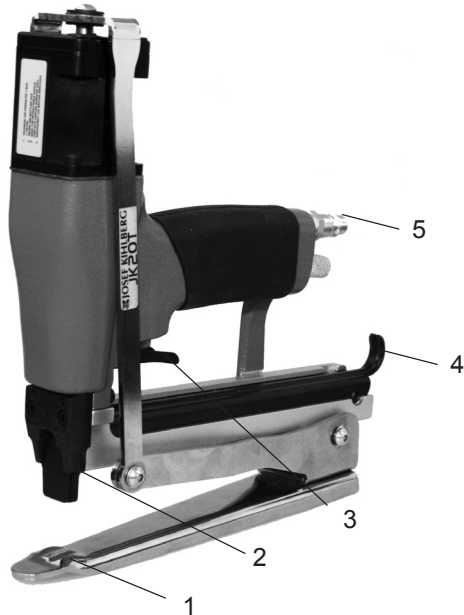


Fig. 1

4.1 MODULES PRINCIPAUX

- 1 Anvil
- 2 Plaque frontale
- 3 Gâchette
- 4 Couvercle du chargeur
- 5 Raccordement d'air comprimé

4.2 FONCTIONNEMENT

L'agrafeuse JK20T possède seulement un déclenchement unique sans étrier de sécurité.

1. Poser l'appareil contre le colis,
2. et tirer la gâchette (Fig. 1/3).

Afin d'éviter des dégâts à l'appareil, ne jamais actionner la gâchette sans qu'un colis ne se trouve entre la languette d'agrafage et la tête d'agrafage.



Avertissement:
Avant le déclenchement, il faut s'assurer qu'aucune main ou une autre partie du corps ne se trouve sous l'appareil.

5

MISE EN SERVICE

5.1 MISE EN SERVICE

L'agrafeuse est livrée sans raccord d'air comprimé installé. Installer le raccord de la manière suivante:

1. Sortir l'agrafeuse de l'emballage. Vérifier le raccord d'air comprimé pour voir s'il correspond avec le système d'air comprimé. Sécuriser le filetage du raccord (Fig. 2/1) avec un composant pour joints.
2. Monter le raccord pneumatique. Couple de montage 7,5 Nm.

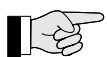


Déplacer le tuyau d'air comprimé de manière à ce qu'il ne présente aucun danger de trébucher.



Fig. 2

5.2 RACCORDEMENT PNEUMATIQUE



Par conséquent, la condition impérative pour un fonctionnement fiable de l'appareil est une alimentation sans défaillances en air comprimé traité. Cette condition n'est remplie que par l'utilisation d'une unité de traitement composée d'un déshumidificateur, d'une soupape de réduction de pression, d'un manomètre et d'un dispositif de créat on de brouillard d'huile.

Le trou du tuyau doit être au minimum de 10 mm. Il faut veiller à ce que le tuyau ne fasse pas de boucles dans lesquelles de l'huile pourrait stagner.



Ne jamais dépasser la pression maximale autorisée de 7,0 bar. Une pression d'air plus faible a pour conséquence des frais de maintenance plus avantageux!

L'agrafeuse nécessite un raccord qui se purge automatiquement lorsque l'appareil est séparé du raccord pneumatique.

L'agrafeuse nécessite quelques gouttes d'huile de lubrification quotidiennement ou une fois 10 gouttes hebdomadairement. En cas d'utilisation intensive, un brumisateurs à huile est recommandé. Adressez-vous à votre fournisseur attitré.

733007 Huile de lubrification 0,2 dl (Fig. 3/1)

Les parties coulissantes sont prévues d'usine avec de la graisse "Dow Corning grease MS 4 Silicon Compound". Nous recommandons l'utilisation de cette graisse également pour les composants qui sont nouvellement remplacés.

184943 Grease MS 4 Silicon Compound (Fig.3/2)



Fig. 3

6

MODE D'EMPLOI

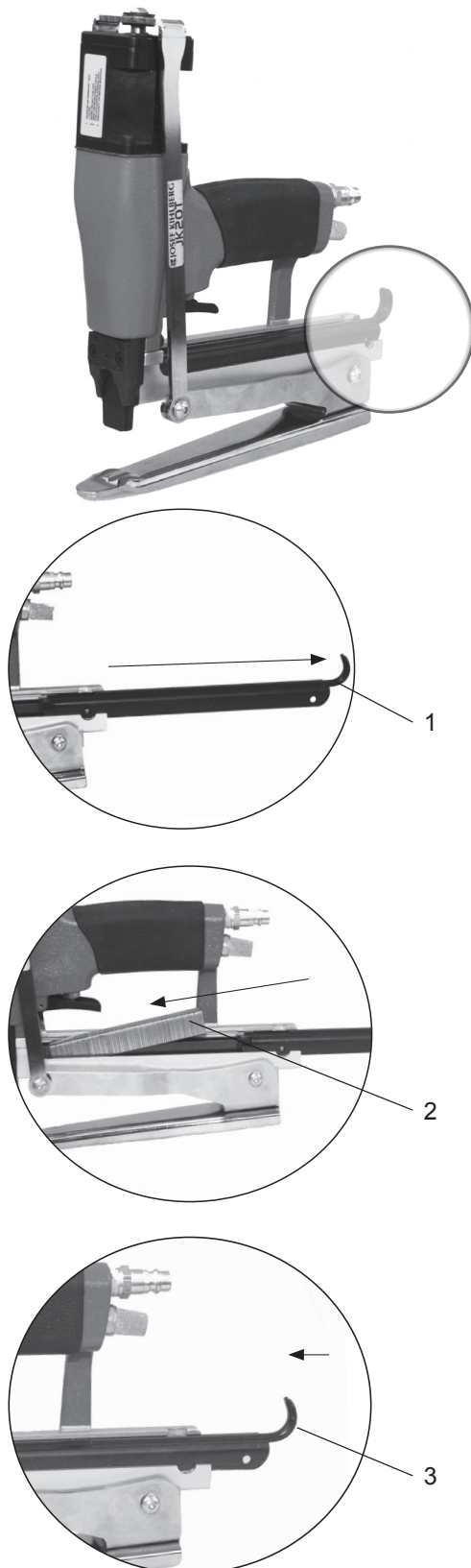


Fig. 4

6.1 CHARGEMENT DU MAGASIN AVEC AGRAFES



Avant le raccordement de l'agrafeuse, il faut s'assurer que cette dernière n'est pas dirigée contre vous ou quelqu'un d'autre.

- Avant de charger des agrafes, raccorder l'appareil à la conduite d'air comprimé. La pression maximale admissible de 7,0 bar ne doit jamais être franchie.
- **Toujours utiliser des agrafes d'origine Josef Kihlberg JK779 avec des dimensions de 8–16 mm.**

Le type d'agrafe adéquat pour l'appareil est indiqué sur la partie droite du chargeur. Il faut s'assurer que vous utilisez la dimension d'arête adéquate pour votre application.

1. Retirer complètement le couvercle du chargeur (Fig. 4/1)
2. Introduire les bandes d'agrafes (4/2) depuis la gauche dans le support à agrafes
3. Presser à nouveau le couvercle du chargeur (4/3) complètement vers l'avant jusqu'à ce qu'il s'enclenche.

6.2 MODE D'EMPLOI POUR L'APPAREIL

N'ajustez pas de pression pneumatique plus élevée que celle nécessaire pour chasser correctement les agrafes. Commencer avec 5,5 bar, puis augmenter la pression pneumatique par pas de 0,5 bar jusqu'à ce que la pression de travail soit trouvée. Ne jamais dépasser la pression pneumatique autorisée de 7,0 bar. Une pression basse entraîne des frais de maintenance plus avantageux.



Avant l'utilisation de l'appareil, placez-vous toujours suivant une position redressée et stable.

Faire attention que l'appareil ne soit jamais placé trop fortement sur un bord ou en biais. Ceci permet d'éviter un ricochet des agrafes.

- Toujours plaquer fermement l'appareil sur le colis. Ne jamais chasser des agrafes dans des matériaux très durs ou cassants. Ne jamais placer l'appareil sous un angle trop aigu ou trop près du bord du colis. Des agrafes pourraient s'échapper et blesser quelqu'un.



Avertissement:
Avant le déclenchement, s'assurer qu'aucune main ou une autre partie du corps ne se trouve sous l'appareil.

- Actionner la gâchette selon la description du chapitre 4.2. Déplacez l'agrafeuse latéralement jusqu'à ce que les agrafes nécessaires soient fixées.
- **Contrôler l'agrafage, voir chapitre 7.5.**

7

INSTRUCTION DE SERVICE



En tous cas d'entretien l'outil est d'abord à débrancher de l'air comprimé.

7.1 NETTOYAGE

Cette agrafeuse pour fonds et côtés de cartons ne nécessite pas de maintenance particulière. Nettoyer la machine régulièrement avec un détergent non agressif (non corrosif). Les petites pièces doivent être retirées pour le nettoyage!



Vérifier quotidiennement le fonctionnement correct de tous les dispositifs de sécurité. Il faut tout particulièrement vérifier:

- que la gâchette se déplace sans frottement et que la plaque frontale de même que le couvercle du chargeur ne s'ouvre pas de manière intempestive.
- que toutes les vis et les écrous sont serrés correctement.
- que l'appareil tel que décrit dans le chapitre 5.2 est lubrifié régulièrement.

7.2 ENLÈVEMENT D'UNE AGRAFE BLOQUÉE

Éliminer les agrafes coincées de la manière suivante:

- Ouvrir la plaque frontale à l'aide d'un tournevis (Fig. 5/1). La plaque frontale possède 3 encoches, cela facilite le démontage.
- Retirer la porte.
- Vérifier le chargeur à propos d'agrafes coincées.
- Positionner la plaque frontale et appuyer jusqu'à ce qu'elle s'encliquette.



Faire attention que les 3 encoches de la plaque frontale sont positionnées vers l'avant.

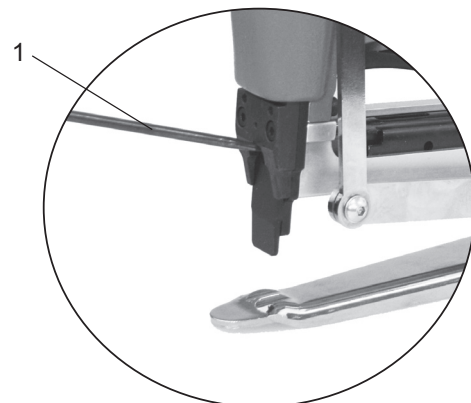


Fig. 5

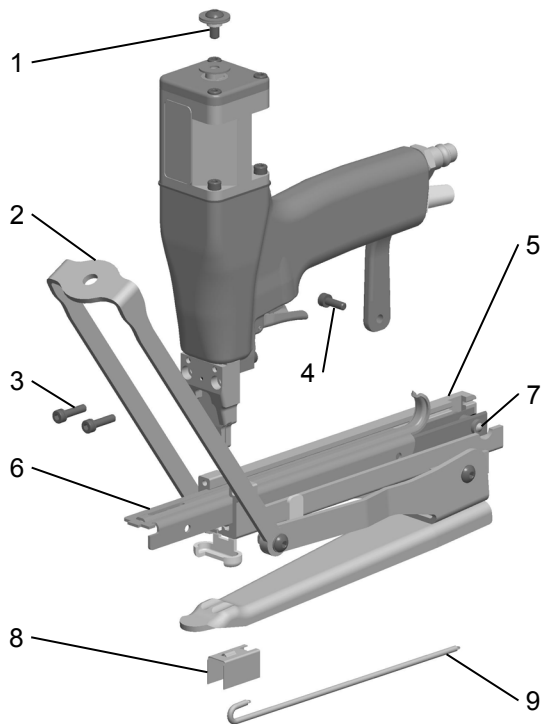


Fig. 6

7.3 REMPLACER LE CHARGEUR D'AGRAFES

- Déconnecter l'air comprimé.
- Dévisser la vis (Fig. 6/1) et tourner le tirant (6/2) sous le chargeur.
- Dévisser la vis à tête cylindrique arrière (6/4) et les deux vis à tête cylindrique (6/1) et retirer le chargeur (6/5).
- Retirer complètement le couvercle.
- Retirer la glissière et son ressort.
- Remonter la glissière. De manière que le ressort (6/9) soit un peu tendu, accrocher le ressort au crochet arrière.
- Remonter le couvercle du chargeur (6/6) depuis l'avant.
- Positionner le cône de verrouillage de telle sorte que le couvercle du chargeur s'adapte.
- Placer les 3 vis (6/4) et (6/3) et presser le chargeur vers le bas. Serrer d'abord les vis (6/3).
- Serrer à nouveau le tirant (6/2) à l'aide de la vis (6/1).

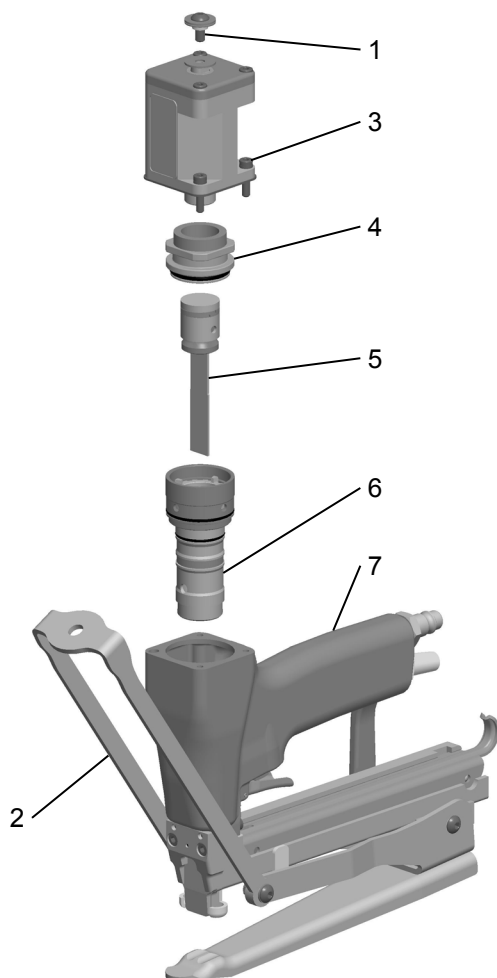


Fig. 7

7.4 REMPLACER LE RAIL D'ENTRAÎNEMENT

- Déconnecter l'air comprimé.
- Dévisser la vis (Fig. 7/1) et tourner le tirant (7/2) sous le chargeur.
- Dévisser les trois vis à tête cylindrique (7/3) et retirer le cylindre supérieur (7/3).
- Retirer le couvercle cylindrique (7/4).
- Retourner l'appareil sur la tête et chasser prudemment les pièces (7/6) à l'aide d'un morceau de bois.
- Retirer le cylindre (7/6).
- Démontez le cylindre et le piston (7/5). Immobiliser le piston et tourner le rail d'entraînement d'un $\frac{1}{4}$ de tour. Retirer la goupille et remplacer le rail d'entraînement.

Remonter les pièces dans l'ordre inverse.

- Il faut remarquer que le rail d'entraînement doit à nouveau être tourné de $\frac{1}{4}$ de tour.
- Lubrifier toutes les pièces et les o-rings (Grease n° art. 184943).
- Remonter le cylindre et le piston (7/5).
- Vérifier si les pièces peuvent se déplacer facilement dans le cylindre.
- Remonter le couvercle cylindrique (7/4).
- Monter le cylindre supérieur (7/3) à l'aide des trois vis à tête cylindrique (7/3).
- Serrer à nouveau le tirant (7/2) à l'aide de la vis (7/1).

7.5 CONTRÔLER L'AGRAFAGE

- 1 Agrafage correct
- 2 Largeur d'agrafe trop grande
- 3 Largeur d'agrafe trop petite

 **N'utiliser que des agrafes d'origine Josef Kihlberg (JK779-08 jusqu'à 16mm)**

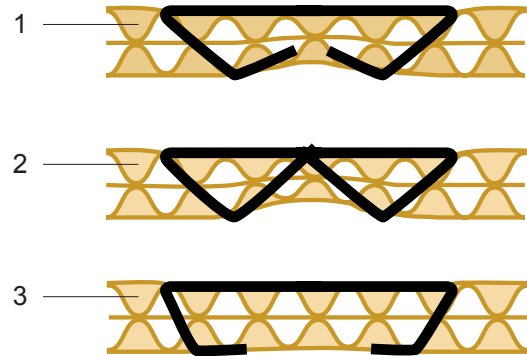


Fig. 8

7.6 RÉGLAGE DE L'AGRAFAGE

Chaque pince d'agrafage est soigneusement vérifiée avant la livraison. En raison d'une utilisation peu soignée au cours de l'utilisation, il est possible que l'enclume doive à nouveau être ajustée. Un agrafage incorrect (Fig. 9/1) peut alors survenir.

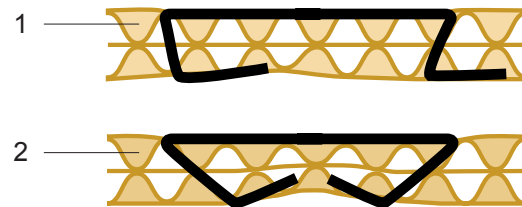


Fig. 9

- Placez une agrafe détachée dans la buse (Fig. 10/1).
- Desserrer les 3 vis de la partie inférieure de l'enclume d'un ¼ de tour. Soulevez l'enclume vers les extrémités de l'agrafe et réglez l'enclume de telle sorte que l'agrafe rencontre l'empreinte de l'enclume de manière symétrique.
- Serrer à nouveau les 3 vis.
- Effectuer un test d'agrafage dans un morceau de carton.
- Lorsque l'enclume est correctement ajustée, l'agrafage doit avoir la même allure que la Fig. 9/2.

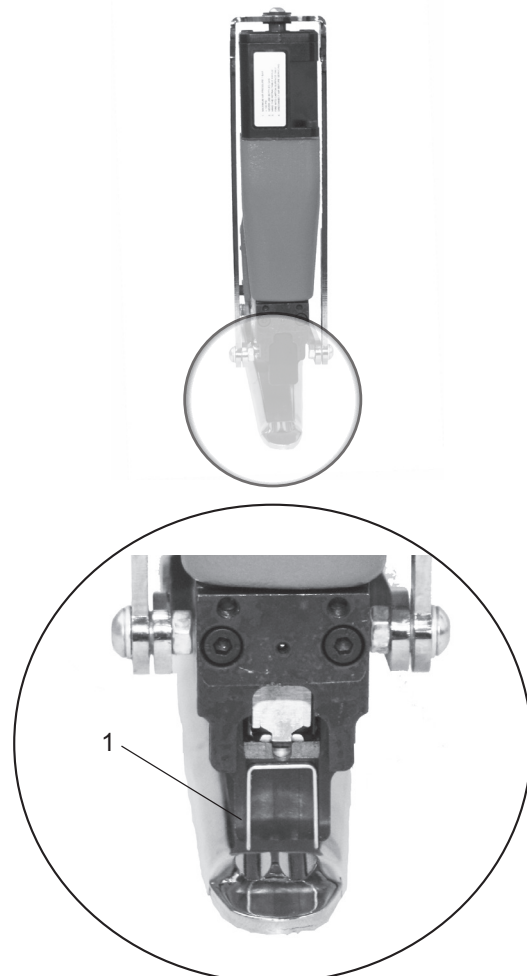


Fig. 10

8

DÉPANNAGE



En tous cas dépannage l'outil est d'abord à déraccorder de l'air comprimé.

PANNE

INTERVENTION

Les agrafes ne sont pas éjectées lors de l'activation de la gâchette

- Contrôler sur des agrafes originales sont employées.
- **Toujours utiliser des agrafes d'origine Josef Kihlberg**
- Contrôler si le ressort du chargeur est en ordre. Remplacer le cas échéant.
- Contrôler si le piston de la glissière est en ordre. Remplacer le cas échéant.
- Eliminer la poussière du guide des agrafes.
- Pression pneumatique trop faible. Régler la pression de l'air comprimé (voir chapitre 6.2).

Force d'enfoncement insuffisante. Les agrafes ne pénètrent pas suffisamment profondément

- Ajuster la pression pneumatique (voir chapitre 6.2).
- L'appareil a-t-il été lubrifié régulièrement? Voir également chapitre 5.2.
- Monter un rail d'entraînement plus long.

L'outil fail trop de bruit

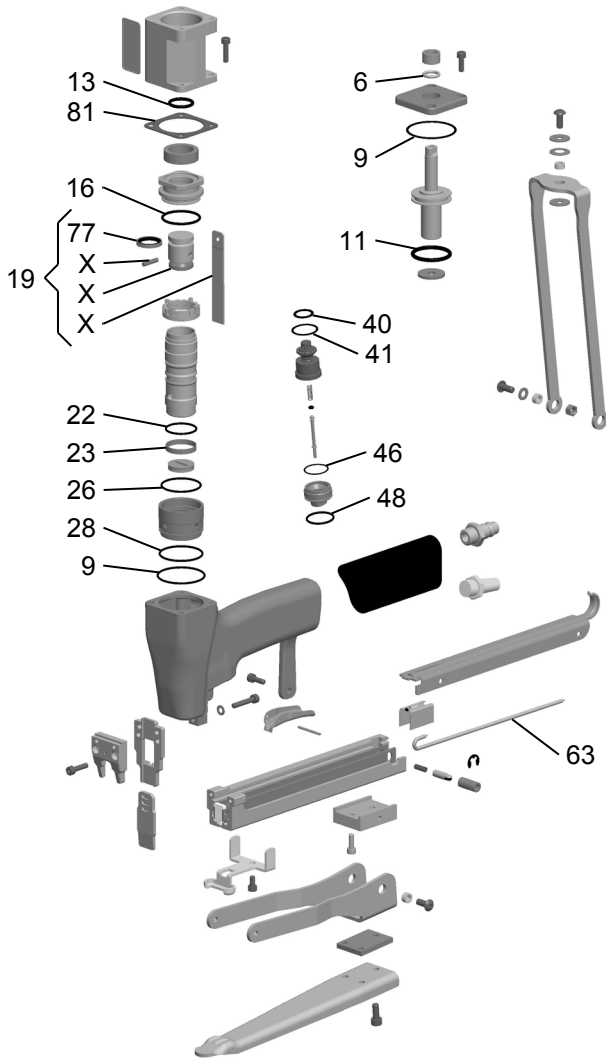
- Ajuster la pression pneumatique (voir chapitre 6.2).
- Vérifier si le colis est bien maintenu. La vibration peut provoquer un niveau de bruit important.

Enlèvement d'une agrafe bloquée

- voir chapitre 7.3.

9

SPARE PARTS KIT / RESERVDELAR SOM DELAR / ERSATZTEIL-SET / JEU DE PIÈCES



O-ring Kit 143124

Pos.	Part No. Artikelnr.	Part Name	Benämning	Antal Qty.
6	972010	O-ring	O-ring	1
9	972023	O-ring	O-ring	2
11	972018	O-ring	O-ring	1
13	972032	O-ring	O-ring	1
16	972177	O-ring	O-ring	1
22	972028	O-ring	O-ring	3
23	148015	Seal Back valve	Tätningssring backventil	1
26	972007	O-ring	O-ring	1
28	972071	O-ring	O-ring	1
40	972030	O-ring	O-ring	1
41	972039	O-ring	O-ring	1
46	972040	O-ring	O-ring	2
48	972021	O-ring	O-ring	1
77	972124	Set of piston rings	Kolvringssats	1
81	148037	Gasket	Packning	1
	184943	O-ring grease	JK silicon compoud	1

Repair Kit 143126

Pos.	Part No. Artikelnr.	Part Name	Benämning	Antal Qty.
6	972010	O-ring	O-ring	1
9	972023	O-ring	O-ring	2
11	972018	O-ring	O-ring	1
13	972032	O-ring	O-ring	1
16	972177	O-ring	O-ring	1
19	134163	Piston cpl. 779	Kolv kpl.	1
22	972028	O-ring	O-ring	3
23	148015	Seal Back valve	Tätningssring backventil	1
26	972007	O-ring	O-ring	1
28	972071	O-ring	O-ring	1
40	972030	O-ring	O-ring	1
41	972039	O-ring	O-ring	1
46	972040	O-ring	O-ring	2
48	972021	O-ring	O-ring	1
63	173053	Feeder spring short	Frammatarfjäder kort	1
63	173054	Feeder spring long	Frammatar fjäder lång	1
77	972124	Set of piston rings	Kolvringssats	1
81	148037	Gasket	Packning	1
	184943	O-ring grease	JK silicon compoud	1

10

Parts list JK20T779

When ordering please indicate part number

Reservdelista JK20T779

Vid beställning var vänlig ange artikelnumera

Teileliste JK20T779

Bei Bestellungen immer Artikel-Nr. angeben

Pos.	Part No. Artikelnr. Artikel-Nr.	Part Name	Benämning	Benennung	Quantity Antal Stückzahl
1	946786	Screw	Skruv	Schraube	5
2	947039	Washer	Bricka	Scheibe	2
3	150257	Spacer	Distansring	Distanzring	1
4	975009	Washer	Bricka	Scheibe	2
5	978022	Bushing	Oljebrossning	Buche	1
6	972010	O-ring	O-ring	O-ring	1
7	179034	Cap	Lock	Deckel	1
8	139369	Cap cpl.	Lock kpl.	Deckel kpl.	1
9	972023	O-ring	O-ring	O-ring	2
10	190167	Piston	Kolvstång	Kolben	1
11	972018	O-ring	O-ring	O-ring	1
12	190113	Cylinder	Cylinderfoder	Zylinder	1
13	972032	O-ring	O-ring	O-ring	2
14	149071	Compression washer	Kompressionsbricka	Druckscheibe	1
15	150428	Cylinder cap	Lock för cylinderfoder	Zylinderdeckel	1
16	972177	O-ring	O-ring	O-ring	2
17	145099	Driver pin	Drivarhållarpinne	Stift	1
* 18	164057	Driver blade	Drivare	Antriebsschne	1
* 19	134163	Piston with driver	Kolv kpl. med drivare	Kolben mit Treiber	1
20	150102	Cylinder top ring	Cylindertoppring	Zylinderring	1
21	190066	Cylinder	Cylinderfoder	Zylinder	1
22	972028	O-ring	O-ring	O-ring	3
23	148015	Seal for back valve	Tätningring backventil	Dichtring	1
24	136074	Cylinder with seals	Cylinderfoder med tätningring	Zylinder mit Dichtungen	1
25	149054	Piston stop	Kolvddämpare	Dämpfer	1
26	972007	O-ring	O-ring	O-ring	1
27	150409	Cage	Hylsa	Büchse	1
28	972071	O-ring	O-ring	O-ring	1
30	166216	Rear nozzle plate	Bakre drivarstyrning	Platte hinten	1
32	135613	Front nozzle plate	Främre drivarstyrning	Platte vorne	1
33	946662	Screw	Skruv	Schraube	2
39	166209	Door	Dörr	Abdeckung	1
40	972030	O-ring	O-ring	O-ring	1
41	972039	O-ring	O-ring	O-ring	1
42	191084	Valve cage	Ventilhylsa	Ventilführung	1
43	173066	Spring	Fjäder	Ventilfeder	1
44	972031	O-ring	O-ring	O-ring	1
45	191085	Valve stem	Ventilspindel	Ventilspindel	1
46	972040	O-ring	O-ring	O-ring	1
47	146102	Nut	Mutter	Mutter	1
48	972021	O-ring	O-ring	O-ring	1
50	987023	Nipple	Insticksnippel	Druckluftanschluss	1
51	971004	Sound absorber	Ljuddämpare	Schalldämpfer	1
52	947008	Lock washer	Låsbricka	Sicherungsring	2
53	946512	Screw	Skruv	Schraube	2
54	165040	Trigger	Avtryckare	Abzug	1
55	945039	Tension pin	Spännstift	Ventilfeder	1
56	946608	Screw	Skruv	Schraube	4
57	163342	Power arm	Dragstång	Zugstange	1
58	150251	Spacer	Distansring	Distanzring	4
59	947012	Washer	Bricka	Scheibe	2
60	946654	Screw	Skruv	Schraube	3
61	170118	Magazine lid short	Magasinslock kort	Magazindeckel kurz	1
61	170119	Magazine lid long	Magasinslock lång	Magazindeckel lang	1

* Recommended wear parts

* Rekommenderade slitedelar

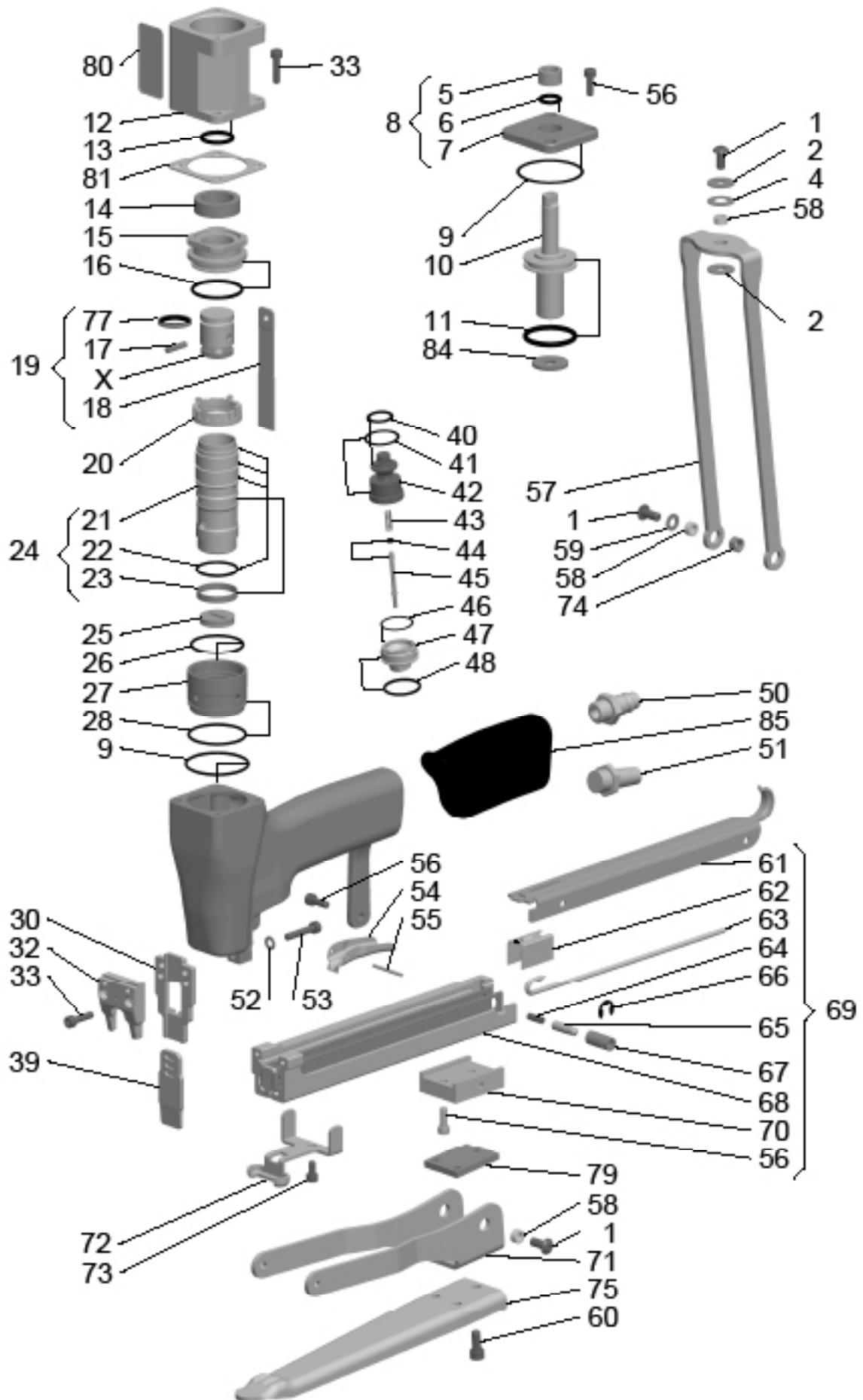
* Empfohlene Verschleissteile

Pos.	Part No. Artikelnr. Artikel-Nr.	Part Name	Benämning	Benennung	Quantity Antal Stückzahl
62	161208	Pusher	Frammatare	Schieber	1
* 63	173053	Pusher spring short	Frammatarfjäder kort	Magazinfeder kurz	1
* 63	173054	Pusher spring long	Frammatarfjäder lång	Magazinfeder lang	1
64	173052	Lock spring	Låsfjäder	Feder	1
65	160051	Lock piston	Låskolv	Stift	1
66	951037	Retainer	Spårryttare	Sicherungsring	1
67	150121	Lock cage	Spärrhylsa	Büchse	1
68	132686	Rail short	Klammerbana kort	Führung kurz	1
68	132688	Rail Long	Klammerbana lång	Führung lang	1
69	132228	Magazine assembly short	Magasin kpl. kort	Magazin kurz	1
69	132230	Magazine assembly long	Magasin kpl. lång	Magazin kurz	1
70	156955	Rear bracket	Bakre fäste för tunga	Führung	1
71	176616	Bracket	Fäste för tunga	Führung	1
72	157075	Carton protector	Kartongskydd	Kartonabdeckung	1
73	946641	Screw	Skruv	Schraube	1
74	946002	Nut	Mutter	Mutter	2
75	158223	Tongue	Häfttunga	Heftzunge	1
76	946654	Screw	Skruv	Schraube	3
77	972124	Set of piston rings	Kolringssats	Kolbenring-Set	1
79	176617	Nut	Mutter	Mutter	2
80	110040	Lable	Etikett	Etikette	1
81	148037	Gasket	Packning	Dichtung	1
84	149089	Bumper	Dämpare	Dämpfer	1
85	035292	Handle sleeve	Gummihandtag	Griffhülse	1

* Recommended wear parts

* Rekommenderade sliddelar

* Empfohlene Verschleissteile



Spare Parts Shop JOSEF KIHMBERG

Select tool Direct Order Checkout Register Login

c.561 PN22
Please click on item for more information

Welcome to our Spare Parts Shop.

Login
Account no:
User name:
Password:
Log in

New customer?
Register

Your shopping cart is empty Net amount: 0,00 kr Shopping cart Checkout

www.kihlberg.com

JOSEF KIHMBERG AB
Industrigatan 37B, 544 50 Hjo, SWEDEN
Tel: +46 503 32800, Fax: +46 503 32801
E-mail: reception@kihlberg.se
www.kihlberg.com