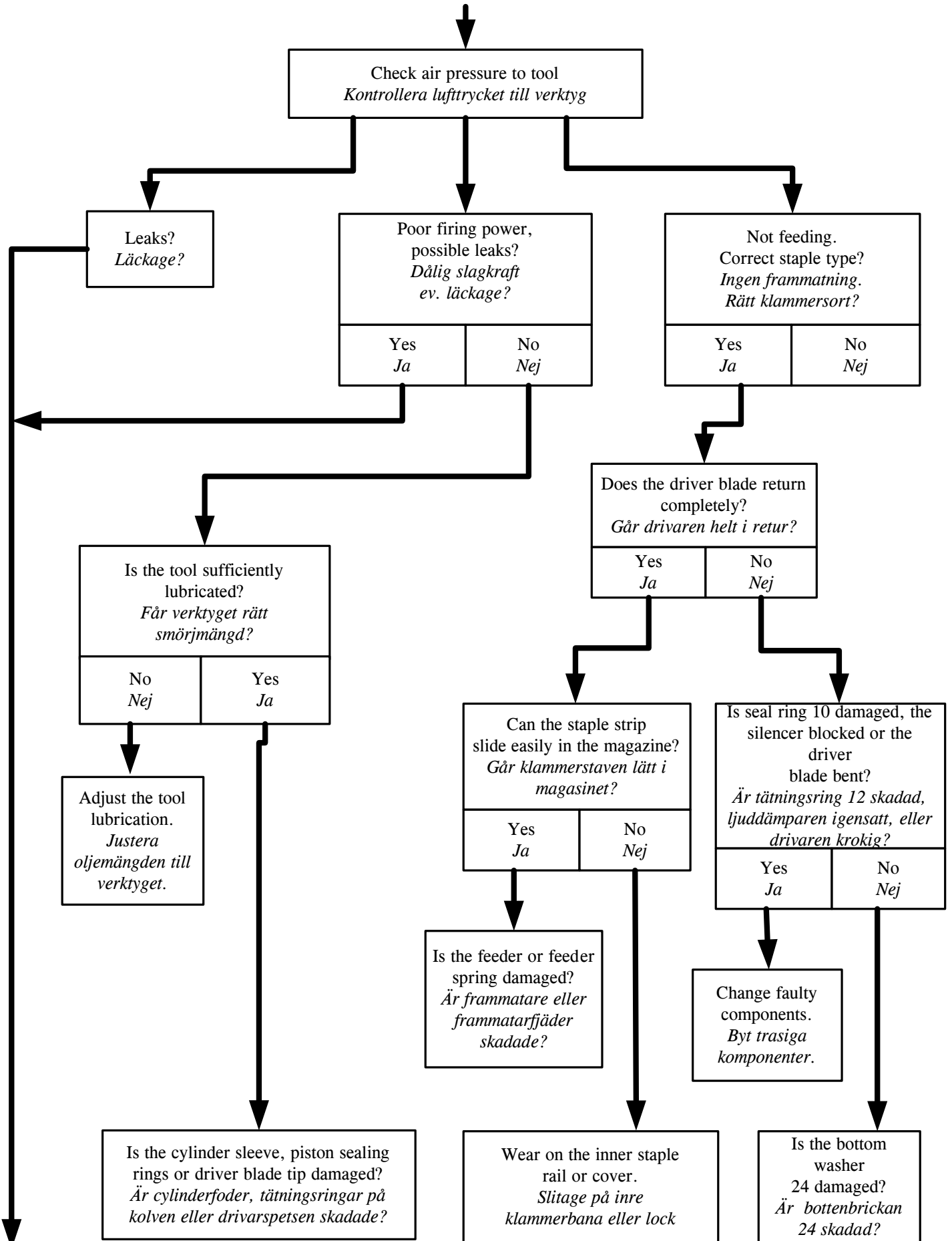


# TROUBLE SHOOTING CHART JK 45

## FELSÖKNINGSSCHEMA JK 45

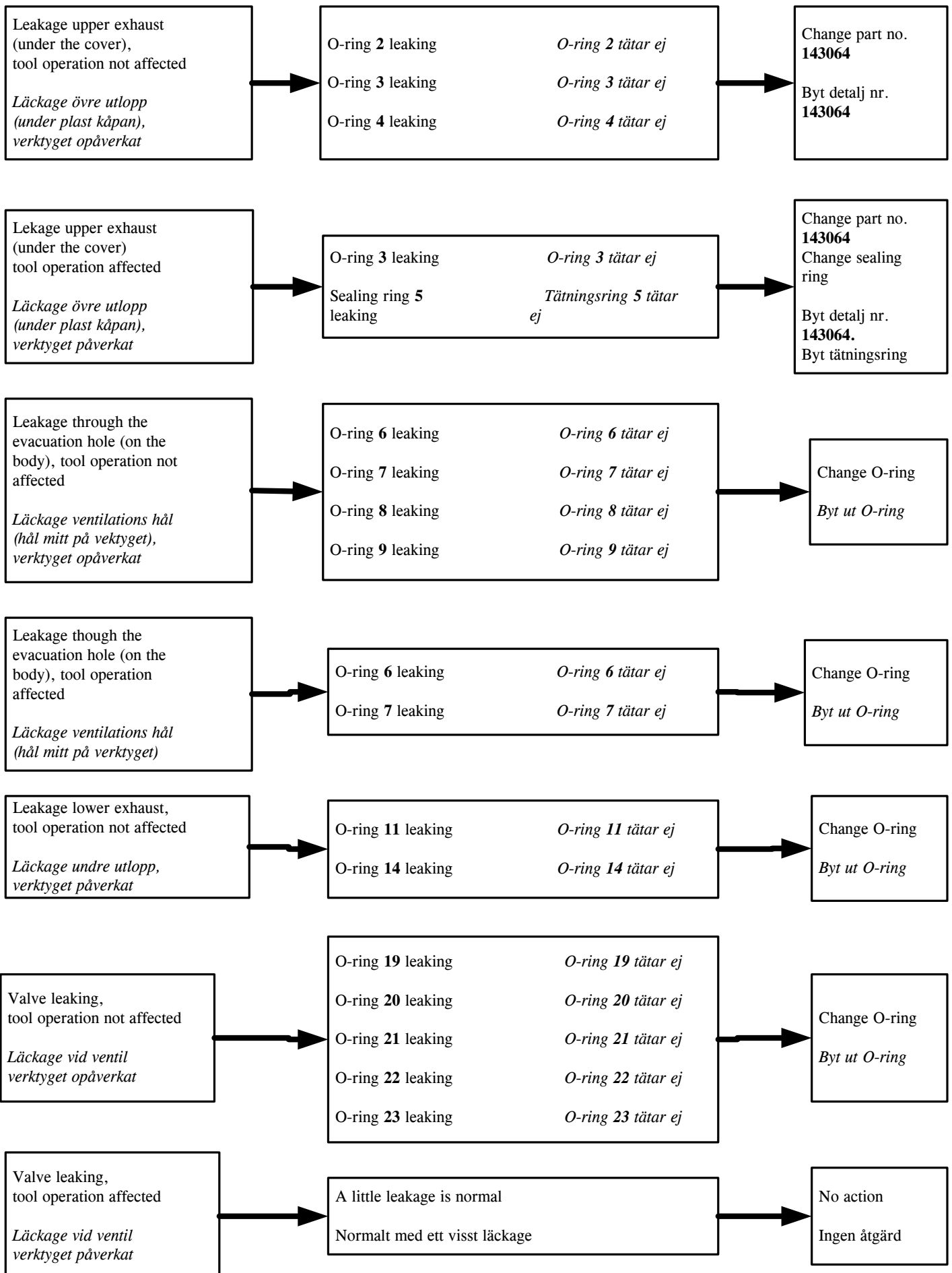


# ADVICE ON LEAKS

## RÅD VID LÄCKAGE



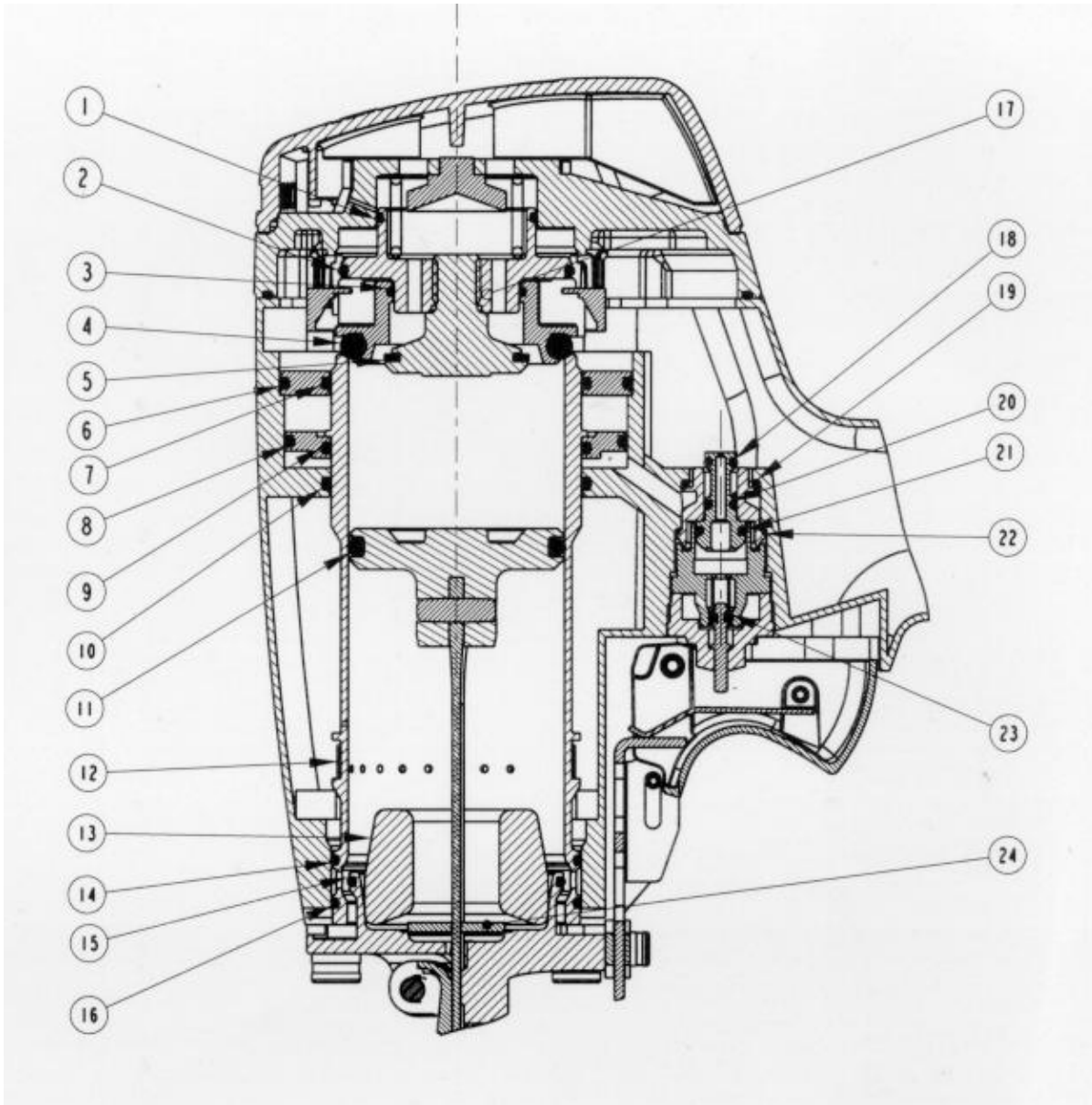
# JOSEF KIHMBERG



You can find reference numbers on next page



# JK45



| Item<br>Detalj | Part no.<br>Nummer | Item<br>Detalj | Part no.<br>Nummer |
|----------------|--------------------|----------------|--------------------|
| 1              | 972007             | 13             | 149104             |
| 2              | 972080             | 14             | 972138             |
| 3              | x                  | 15             | 972144             |
| 4              | 972130             | 16             | 972138             |
| 5              | 148053             | 17             | 143064             |
| 6              | 972136             | 18             | 972070             |
| 7              | 972116             | 19             | 972030             |
| 8              | 972136             | 20             | 972070             |
| 9              | 972116             | 21             | 972020             |
| 10             | 972116             | 22             | 972040             |
| 11             | 972145             | 23             | 972057             |
| 12             | 148056             | 24             | 148057             |