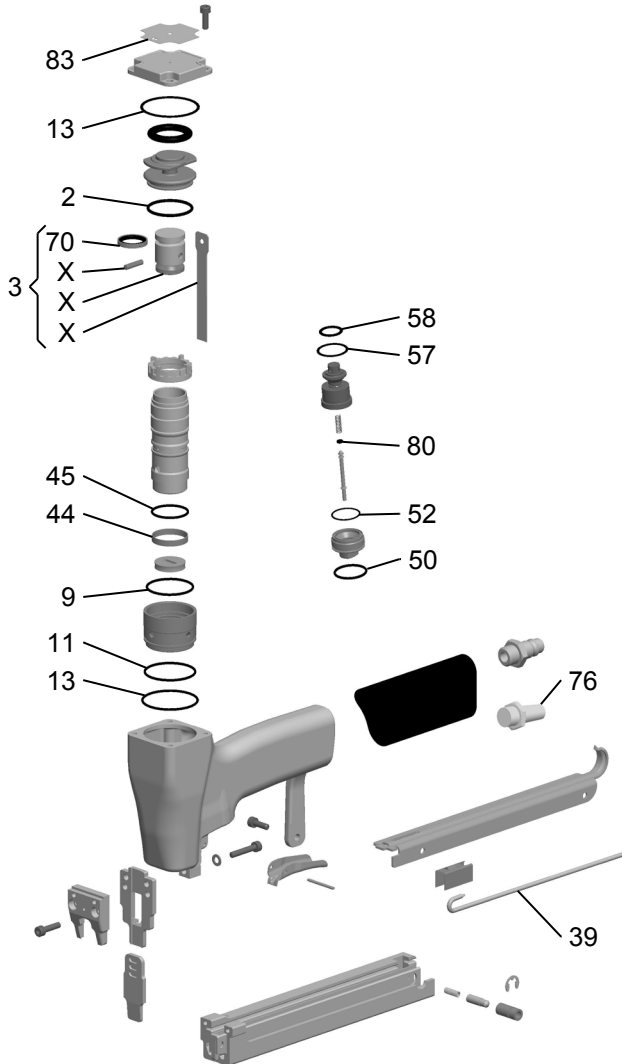


# 9

## SPARE PARTS KIT / RESERVDELAR SOM DELAR / ERSATZTEIL-SET / JEU DE PIÈCES



### O-ring Kit 143114 (all JK20 single shot tools)

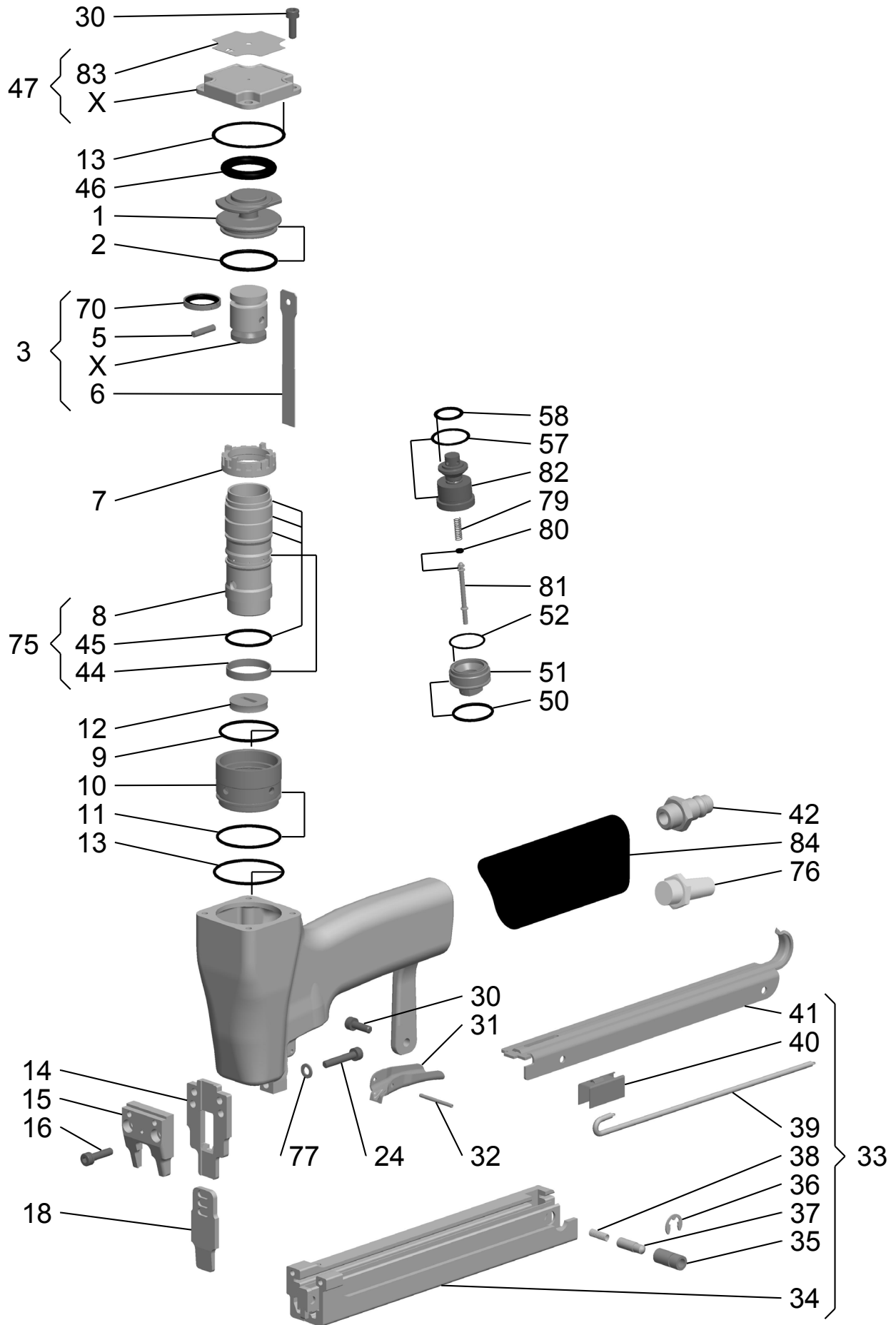
Pos.	Part No. Artikelnr.	Part Name	Benämning	Antal Qty.
2	972177	O-ring	O-ring	1
9	972007	O-ring	O-ring	1
11	972071	O-ring	O-ring	1
13	972023	O-ring	O-ring	2
44	148015	Seal Back valve	Tätningring backventil	1
45	972028	O-ring	O-ring	3
50	972021	O-ring	O-ring	1
52	972040	O-ring	O-ring	1
57	972039	O-ring	O-ring	1
58	972030	O-ring	O-ring	1
70	972124	Set of piston rings	Kolvringssats	1
80	972031	O-ring	O-ring	1
	184943	O-ring grease	JK silicon compound	1

### Repair Kit 143116 (JK20-670 short magazine)

Pos.	Part No. Artikelnr.	Part Name	Benämning	Antal Qty.
2	972177	O-ring	O-ring	1
3	134296	Piston with driver L=84 mm	Kolv kpl. L=84 mm	1
9	972007	O-ring	O-ring	1
11	972071	O-ring	O-ring	1
13	972023	O-ring	O-ring	2
39	173053	Feed spring L=130mm	Frammatar fjäder L=130mm	1
44	148015	Seal Back valve	Tätningring backventil	1
45	972028	O-ring	O-ring	3
50	972021	O-ring	O-ring	1
52	972040	O-ring	O-ring	1
57	972039	O-ring	O-ring	1
58	972030	O-ring	O-ring	1
76	971004	Sound absorber	Ljuddämpare	1
80	972031	O-ring	O-ring	1
83	110287	Warning lable	Varningsskylt	1
	184943	O-ring grease	JK silicon compound	1

### Repair Kit 143117 (JK20-670 long magazines)

Pos.	Part No. Artikelnr.	Part Name	Benämning	Antal Qty.
2	972177	O-ring	O-ring	1
3	134296	Piston with driver L=84 mm	Kolv kpl. L=84 mm	1
9	972007	O-ring	O-ring	1
11	972071	O-ring	O-ring	1
13	972023	O-ring	O-ring	2
39	173054	Feed spring L=218mm	Frammatar fjäder L=218mm	1
44	148015	Seal Back valve	Tätningring backventil	1
45	972028	O-ring	O-ring	3
50	972021	O-ring	O-ring	1
52	972040	O-ring	O-ring	1
57	972039	O-ring	O-ring	1
58	972030	O-ring	O-ring	1
76	971004	Sound absorber	Ljuddämpare	1
80	972031	O-ring	O-ring	1
83	110287	Warning lable	Varningsskylt	1
	184943	O-ring grease	JK silicon compound	1



## 10

## Parts list JK20-670L

When ordering please indicate part number

## JK20-670L

Vid beställning var vänlig ange artikelnummerna

## Teileliste JK20-670L

Bei Bestellungen immer Artikel-Nr. angeben

Pos.	Part No. Artikelnr. Artikel-Nr.	Part Name Benämning Benennung	Quantity		Antal Stückzahl		
1	150436	Cylinder cap	1	Lock för cylinder foder	Zylinderdeckel	1	
*	2	972177	1	O-ring	O-ring	1	
*	3	134297	1	Piston with driver long	Kolv kpl. med drivare lång	Kolben mit langem Treiber	1
3	134296	Piston with driver short	1	Kolv kpl. med drivare kort	Kolben mit kurzem Treiber	1	
5	145099	Driver pin	1	Drivarhållarpinne	Stift	1	
*	6	164143	1	Driver blade long	Drivare lång	Antriebsschne lang	1
*	6	164141	1	Driver blade short	Drivare kort	Antriebsschne kurz	1
7	150102	Cylinder top ring	1	Cylindertopping	Zylinderring	1	
8	190066	Cylinder	1	Cylinderfoder	Zylinder	1	
9	972007	O-ring	1	O-ring	O-ring	1	
10	150409	Cage	1	Hylsat	Büchse	1	
11	972071	O-ring	1	O-ring	O-ring	1	
12	149053	Bumper	1	Kolvdämpare	Dämpfer	1	
13	972023	O-ring	2	O-ring	O-ring	2	
14	166213	Rear Nozzle plate	1	Bakre drivarstyrning	Führungsplatte	1	
15	135614	Guide door	1	Fjäderhållare komplett	Abdeckplatte	1	
16	946662	Screw	2	Skruv	Zylinderschraube	2	
18	166210	Dorr	1	Dörr	Vorderplatte	1	
24	946705	Screw	2	Skruv	Schraube	2	
30	946608	Screw	5	Skruv	Zylinderschraube	5	
31	165040	Trigger	1	Avtryckare	Abzug	1	
32	945039	Tension pin	1	Spännstift	Spannstift	1	
33	132215	Magazine short	1	Magasin kort	Magazin kurz	1	
33	132217	Long magazine	1	Magasin lång	Magazin lang	1	
34	132675	Rail short	1	Klammerbana kort	Führung kurz	1	
34	132676	Rail long	1	Klammerbana long	Führung lang	1	
35	150113	Lock cage	1	Spärrhylsa	Büchse	1	
36	951037	Retainer	1	Spärryttare	Sicherungsring	1	
37	160051	Lock piston	1	Låskolv	Stift	1	
38	173052	Lock spring	1	Låsfjäder	Feder	1	
*	39	173053	1	Feedre spring short	Frammatarfjäder kort	Magazinfeder kurz	1
*	39	173054	1	Feeder spring long	Frammatarfjäder lång	Magazinfeder lang	1
40	161108	Pusher	1	Frammatare	Schieber	1	
41	170172	Magazine lid short	1	Magasinlock kort	Magazindeckel kurz	1	
41	170173	Magazine lid long	1	Magasin lock lång	Magazindeckel lang	1	
42	987023	Nipple	1	Nippel	Druckluftanschluss	1	
44	148015	Seal back valve	1	Tätningring backventil	Dichtring	1	
45	972028	O-ring	3	O-ring	O-ring	3	
46	972185	O-ring	1	O-ring	O-ring	1	
47	139460	Top cap	1	Lock	Deckel	1	
50	972021	O-ring	1	O-ring	O-ring	1	
51	146102	Nut	1	Mutter	Mutter	1	
52	972040	O-ring	1	O-ring	O-ring	1	
57	972039	O-ring	1	O-ring	O-ring	1	
58	972030	O-ring	1	O-ring	O-ring	1	
70	972124	Set of piston rings	1	Kolvringsatts	Kolbenring-Set	1	
75	136074	Cylinder with seals	1	Cylinderfoder med tätningar	Zylinder mit Dichtungen	1	
76	971004	Sound absorber	1	Ljuddämpare	Schalldämpfer	1	
77	947008	Lock washer	2	Låsbricka	Sicherungsring	2	
79	173066	Valve spring	1	Fjäder	Feder	1	
80	972031	O-ring	1	O-ring	O-ring	1	
81	191085	Valve stem	1	Ventilspindel	Ventilkolben	1	
82	191085	Valve cage	1	Ventilhylsa	Ventilführung	1	
83	110287	Warning label	1	Varningsskylt	Gefahrenschild	1	
84	035292	Handle sleeve	1	Gummihantag	Griffhülse	1	

\* Recommended wear parts

\* Rekommenderade slitdelar

\* Empfohlene Verschleissteile