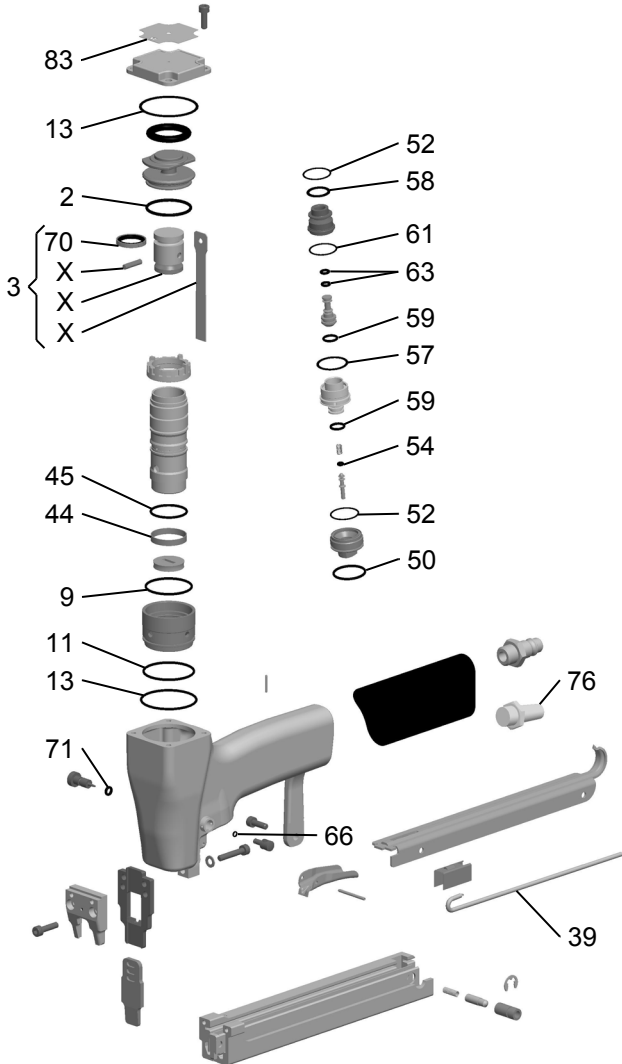


# 9

## SPARE PARTS KIT / RESERVDELAR SOM DELAR / ERSATZTEIL-SET / JEU DE PIÈCES



### O-ring Kit 143115 (All JK20Automatic tools)

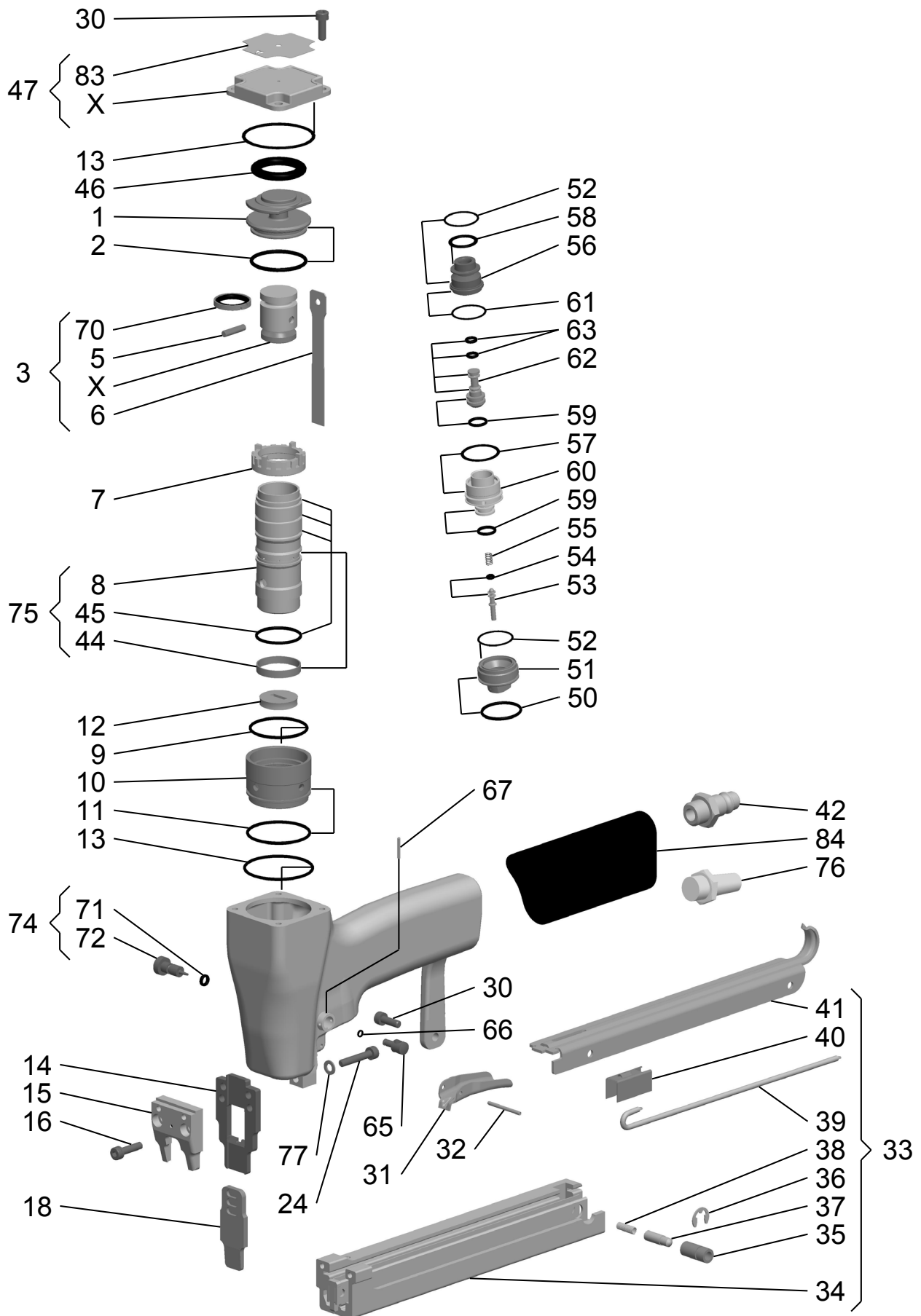
Pos.	Part No. Artikelnr.	Part Name	Benämning	Antal Qty.
2	972177	O-ring	O-ring	1
9	972007	O-ring	O-ring	1
11	972071	O-ring	O-ring	1
13	972023	O-ring	O-ring	2
44	148015	Seal Back valve	Tätningring backventil	1
45	972028	O-ring	O-ring	3
50	972021	O-ring	O-ring	1
52	972040	O-ring	O-ring	2
54	972057	O-ring	O-ring	1
57	972039	O-ring	O-ring	1
58	972030	O-ring	O-ring	1
59	972020	O-ring	O-ring	1
61	972076	O-ring	O-ring	1
63	972070	O-ring	O-ring	2
66	972034	O-ring	O-ring	1
71	972084	O-ring	O-ring	1
70	972124	O-ring	O-ring	1
184943		O-ring grease	JK silicon compoud	1

### Repair Kit 143118 (JK20A670 short magazines)

Pos.	Part No. Artikelnr.	Part Name	Benämning	Antal Qty.
2	972177	O-ring	O-ring	1
3	134296	Piston with driver L=84 mm	Kolv kpl. L=84 mm	1
9	972007	O-ring	O-ring	1
11	972071	O-ring	O-ring	1
13	972023	O-ring	O-ring	2
39	173053	Feed spring L=130mm	Frammatarfjäder L=130mm	1
44	148015	Seal Back valve	Tätningring backventil	1
45	972028	O-ring	O-ring	3
50	972021	O-ring	O-ring	1
52	972040	O-ring	O-ring	2
54	972057	O-ring	O-ring	1
57	972039	O-ring	O-ring	1
58	972030	O-ring	O-ring	1
59	972020	O-ring	O-ring	1
61	972076	O-ring	O-ring	1
63	972070	O-ring	O-ring	2
66	972034	O-ring	O-ring	1
71	972084	O-ring	O-ring	1
76	971004	Sound absorber	Ljuddämpare	1
83	110287	Warning lable	Varningsskylt	1
184943		O-ring grease	JK silicon compoud	1

### Repair Kit 143119 (JK20A670L long magazines)

Pos.	Part No. Artikelnr.	Part Name	Benämning	Antal Qty.
2	972177	O-ring	O-ring	1
3	134296	Piston with driver L=84 mm	Kolv kpl. L=84 mm	1
9	972007	O-ring	O-ring	1
11	972071	O-ring	O-ring	1
13	972023	O-ring	O-ring	2
39	173054	Feed spring L=218mm	Frammatarfjäder L=218mm	1
44	148015	Seal Back valve	Tätningring backventil	1
45	972028	O-ring	O-ring	3
50	972021	O-ring	O-ring	1
52	972040	O-ring	O-ring	2
54	972057	O-ring	O-ring	1
57	972039	O-ring	O-ring	1
58	972030	O-ring	O-ring	1
59	972020	O-ring	O-ring	1
61	972076	O-ring	O-ring	1
63	972070	O-ring	O-ring	2
66	972034	O-ring	O-ring	1
71	972084	O-ring	O-ring	1
76	971004	Sound absorber	Ljuddämpare	1
83	110287	Warning lable	Varningsskylt	1
184943		O-ring grease	JK silicon compoud	1



## 10

## Parts list JK20A670L

## JK20A670L

## Teileliste JK20A670L

When ordering please indicate part number

Vid beställning var vänlig ange artikelnumera

Bei Bestellungen immer Artikel-Nr. angeben

Pos.	Part No. Artikelnr. Artikel-Nr.	Part Name	Benämning	Benennung	Quantity Antal Stückzahl
1	150436	Cylinder cap	Lock för cylinder foder	Zylinderdeckel	1
* 2	972177	O-ring	O-ring	O-ring	1
* 3	134297	Piston with driver long	Kolv kpl. med drivare lång	Kolben mit langem Treiber	1
3	134296	Piston with driver short	Kolv kpl. med drivare kort	Kolben mit kurzem Treiber	1
5	145099	Driver pin	Drivarhållarpinne	Stift	1
* 6	164143	Driver blade long	Drivare lång	Antriebsschne lang	1
* 6	164141	Driver blade short	Drivare kort	Antriebsschne kurz	1
7	150102	Cylinder top ring	Cylindertoppring	Zylinderring	1
8	190066	Cylinder	Cylinderfoder	Zylinder	1
9	972007	O-ring	O-ring	O-ring	1
10	150409	Cage	Hylsat	Büchse	1
11	972071	O-ring	O-ring	O-ring	1
12	149053	Bumper	Kolvdämpare	Dämpfer	1
13	972023	O-ring	O-ring	O-ring	2
14	166213	Rear Nozzle plate	Bakre drivarstyrning	Führungsplatte	1
15	135614	Guide door	Dörrstyrning	Führungsplatte	1
16	946662	Screw	Skruv	Zylinderschraube	2
18	166210	Dorr	Dörr	Vorderplatte	1
24	946705	Screw	Skruv	Schraube	2
30	946608	Screw	Skruv	Zylinderschraube	5
31	165040	Trigger	Avtryckare	Abzug	1
32	945039	Tension pin	Spännstift	Spannstift	1
33	132215	Magazine short	Magasin kort	Magazin kurz	1
33	132217	Long magazine	Magasin lång	Magazin lang	1
34	132675	Rail short	Klammerbana kort	Führung kurz	1
34	132676	Rail long	Klammerbana long	Führung lang	1
35	150113	Lock cage	Spärrhylsa	Büchse	1
36	951037	Retainer	Spärryttare	Sicherungsring	1
37	160051	Lock piston	Låskolv	Stift	1
38	173052	Lock spring	Låsfjäder	Feder	1
* 39	173053	Feedre spring short	Frammatarfjäder kort	Magazinfeder kurz	1
* 39	173054	Feeder spring long	Frammatarfjäder lång	Magazinfeder lang	1
40	161108	Pusher	Frammatare	Schieber	1
41	170172	Magazine lid short	Magasinlock kort	Magazindeckel kurz	1
41	170173	Magazine lid long	Magasinlock lång	Magazindeckel lang	1
42	987023	Nipple	Nippel	Druckluftanschluss	1
44	148015	Seal back valve	Tätningring backventil	Dichtring	1
45	972028	O-ring	O-ring	O-ring	3
46	972185	O-ring	O-ring	O-ring	1
47	139460	Top cap	Lock	Deckel	1
50	972021	O-ring	O-ring	O-ring	1
51	146102	Nut	Mutter	Mutter	1
52	972040	O-ring	O-ring	O-ring	2
53	191082	Valve stem	Ventilspindel	Ventilspindel	1
54	972057	O-ring	O-ring	O-ring	1
55	173065	Valve spring	Fjäder	Ventilfeder	1
56	191081	Upper valve cage	Ventilhylsa övre	Ventildeckel oben	1
57	972039	O-ring	O-ring	O-ring	1
58	972030	O-ring	O-ring	O-ring	1
59	972020	O-ring	O-ring	O-ring	2
60	191079	Lower valve cage	Ventilhylsa nedre	Ventildeckel unten	1
61	972076	O-ring	O-ring	O-ring	1
62	191083	Air stem	Luftstyrd spindel	Luftdüse	1
63	972070	O-ring	O-ring	O-ring	2
65	191053	Button single shot	Avstängningsknapp enkelskott	Einzelfeuerungs-Taste	1
66	972034	O-ring	O-ring	O-ring	1
67	945041	Tension pin	Spännstift	Stift	1
70	972124	Set of piston rings	Kolvringsatts	Kolbenring-Set	1
71	972084	O-ring	O-ring	O-ring	1
72	146106	Regulator screw	Strypskruv	Drehknopf	1
74	146086	Regulator screw assy.	Strypskruv kpl.	Drehknopf kpl.	1
75	136074	Cylinder with seals	Cylinderfoder med tätningar	Zylinder mit Dichtungen	1
76	971004	Sound absorber	Ljuddämpare	Schalldämpfer	1
77	947008	Lock washer	Låsbricka	Sicherungsring	2
82	191084	Valve cage	Ventilhylsa	Ventilführung	1
83	110287	Warning label	Varningsskylt	Gefahrenschild	1
84	035292	Handle sleeve	Gummihantag	Griffhülse	1

\* Recommended wear parts

\* Rekommenderade slitdelar

\* Empfohlene Verschleissteile