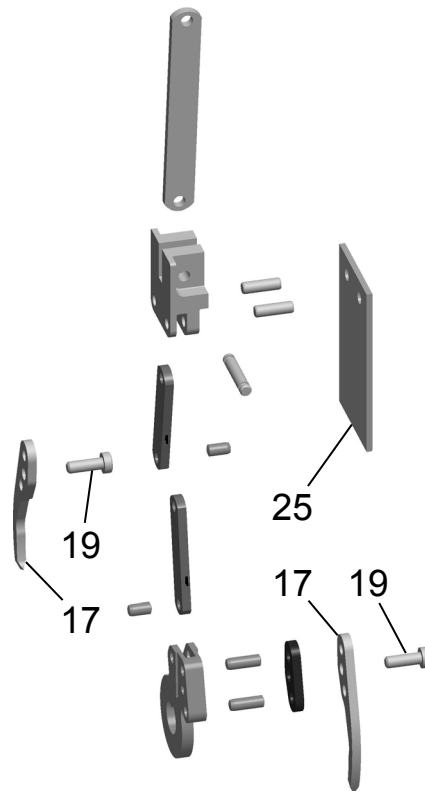
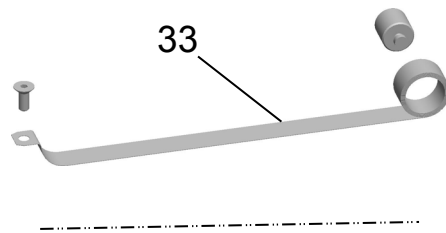


Repair Kit 143139

| Pos. | Part No. Artikelnr. | Part Name | Benämning | Antal Qty. |
|------|------------------------|--------------|-----------------|---------------|
| 17 | 158304 | Anvil | Klo | 2 |
| 19 | 946687 | Screw | Skruv | 2 |
| 25 | 164296 | Driver blade | Drivare | 1 |
| 33 | 174074 | Feed spring | Frammatarfjäder | 1 |
| 44 | 173178 | Spring | Fjäder | 2 |



9

| | | Parts list c.561M22 | c.561M22 | c.561M22 | |
|------|--------|---|---|--|---|
| | | When ordering please indicate part number | Vid beställning var vänlig ange artikelnummerna | Bei Bestellungen immer Artikel-Nr. angeben | |
| 1 | 165126 | Plastic grip | Plasthandtag | Plastik-Griff | 1 |
| 2 | 165127 | Handle | Handtag | Auslösehebel | 1 |
| 3 | 951020 | Retainer | Axelsäkring | Sicherung | 4 |
| 4 | 950006 | Fix ring | Fix ring | Sicherungsscheibe | 2 |
| 5 | 145170 | Shaft | Axel | Achse | 1 |
| 6 | 945117 | Pin | Pinne | Stift | 1 |
| 7 | 946767 | ScREW | Skruv | Schraube | 6 |
| 8 | 161367 | Casting | Stomme | Unterres Gehäuse | 1 |
| 9 | 150421 | Cage | Hylsa höjdställning | Hulsa | 1 |
| 10 | 139542 | Front Section | Främre underdel | Vorderplatte | 1 |
| 11 | 165124 | Penetration control knob | Ställvred | Knopf tiefeinstellung | 1 |
| 12 | 173155 | Spring | Fjäder | Feder | 1 |
| 13 | 946651 | Screw | Skruv | Gewindestift | 1 |
| 14 | 176417 | Anvil holder | Klobärare | Umbiegerhalterung | 2 |
| 15 | 945096 | Pin | Pinne | Stift | 4 |
| 16 | 147127 | Spacer | Distansklots | Distanzblech | 2 |
| * 17 | 158304 | Anvil hook 15-18 | Klo 15-18 | Umbieger 15-18 | 2 |
| 18 | 163325 | Link | Länk | Hebel | 1 |
| 19 | 946687 | Screw | Skruv | Zylinderschraube | 2 |
| 20 | 945115 | Pin | Pinne | Stift | 2 |
| 21 | 163326 | Link | Länk | Hebel | 2 |
| 22 | 161357 | Connecting yoke | Ok | Étrier d'assemblage | 1 |
| 23 | 145168 | Pin | Axel | Achse | 1 |
| 24 | 145171 | Pin | Pinne | Stift | 2 |
| * 25 | 164296 | Driver blade | Drivare | Treiber | 1 |
| 26 | 150420 | Bushing | Bussning | Buchse | 1 |
| 27 | 163321 | Penetration eccentric | Excenter | Exzenter | 1 |
| 28 | 166227 | Rear nozzle plate c561-22 | Bakre drivarstyrning c561-22 | Führungsplatte c561-22 | 1 |
| 29 | 946696 | Screw | Skruv | Schraube | 2 |
| 30 | 110325 | Lable magazines | Magasinskylt | Schild | 1 |
| 31 | 946769 | Screw | Skruv | Schraube | 3 |
| 32 | 170174 | Magazine lid | Magasinlock | Magazinschieber | 1 |
| 33 | 174074 | Feeder spring | Frammatarfjäder | Zugfeder | 1 |
| 34 | 161354 | Pusher | Frammatatare | Kloben | 2 |
| 35 | 165122 | Finger grip | Fingergrepp | Griff | 1 |
| 36 | 145166 | Shaft | Axel | Achse | 1 |
| 37 | 150414 | Roller | Fjäderdistans | Führungsrollen am zugband | 1 |
| 38 | 946518 | Screw | Skruv | Schraube | 1 |
| 39 | 155157 | Rear body | Bakre hus | Unteres Gehäuse | 1 |
| 40 | 946780 | Screw | Skruv | Schraube | 6 |
| 41 | 162993 | Front nozzle plate | Främre drivarstyrning | Abdeckplatte | 1 |
| 42 | 946761 | Screw | Skruv | Schraube | 2 |
| 43 | 947062 | Washer | Nitbricka | Scheibe | 2 |
| 44 | 173178 | Spring | Fjäder | Feder | 2 |
| 45 | 165123 | Handle | Handtag | Hebel | 1 |
| 46 | 946003 | Nut | Mutter | Mutter | 1 |
| 47 | 946773 | Screw | Skruv | Zylinderschraube | 1 |
| 48 | 110316 | Lable | Skylt | Schild | 1 |
| 49 | 110320 | Lable | Skylt | Schild | 1 |
| 50 | 134317 | Clinch unit compl. | Bockenhet kompl. | Aufnahme kompl. | 1 |
| 51 | 132799 | Rail assembly | Klammerbana kompl. | Klammerschiene | 1 |
| 52 | 139533 | Cap. cpl. | Kåpa kompl. | Schutzhaube | 1 |

* Recommended wear parts

* Rekommenderade slitdelar

* Empfohlene Verschleissteile

